

INTEGRATED MODULAR JACK

10/100 Base TX RJ45 Single Port Tab Up

Meets or exceeds IEEE 802.3 standard for 10/100 Base-TX

350 uH minimum OCL with 8mA bias current

Available with or without LEDs

Minimum 1500Vrms isolation per IEEE802.3 requirement

Operating temperature 0°C to +70°C

Storage temperature -40°C to +85°C

Patent No.:

Taiwan - M243821, file94221170, file93130703

China - ZL03252694.6

U.S.A. - 6,811,442 B1, 6,986,684 B1

Japan - 3118484, 3118754

Germany - 20 2005 016 971.4, 20 2005 016 972.2

TRANSFORMER ELECTRICAL SPECIFICATIONS AT 25°C

Part Number	Turns Ratio		EMI Fingers	LEDs (L/R)	Insertion Loss (dB max.)				Return Loss 100Ω±15Ω (dB min.)			Cross talk (dB min.)			C.M.R. (dB min.)		Hi - pot (Vrms) 60Hz/1min
	TX	RX			1-100 MHz	1 -30 MHz	30-60 MHz	60-80 MHz	1-30 MHz	30-60 MHz	60-100 MHz	1 -60 MHz	60-100 MHz				
M26UX-008120A	1CT:1CT	1CT:1CT	NO	N / A	-1	-18	-16	-12	-40	-35	-30	-40	-30	1500			
M26US-008121A	1CT:1CT	1CT:1CT	YES	G / Y	-1	-18	-16	-12	-40	-35	-30	-40	-30	1500			
M26US-008122A	1CT:1CT	1CT:1CT	YES	G / G	-1	-18	-16	-12	-40	-35	-30	-40	-30	1500			
M26US-008123A	1CT:1CT	1CT:1CT	YES	Y / G	-1	-18	-16	-12	-40	-35	-30	-40	-30	1500			
M26UX-008260A	1CT:1CT	1CT:1CT	NO	N / A	-1	-18	-16	-12	-40	-35	-30	-40	-30	1500			
M26US-008261A	1CT:1CT	1CT:1CT	YES	G / Y	-1	-18	-16	-12	-40	-35	-30	-40	-30	1500			
M26US-008262A	1CT:1CT	1CT:1CT	YES	G / G	-1	-18	-16	-12	-40	-35	-30	-40	-30	1500			
M26US-008263A	1CT:1CT	1CT:1CT	YES	Y / G	-1	-18	-16	-12	-40	-35	-30	-40	-30	1500			

NOTES : 1. LEDs Left / Right G=green, Y=yellow, N/A=none

2. C.M.R. = Common Mode Rejection

MATERIAL SPECIFICATION

Metal Shell : Copper Alloy , Finish: 50u" Nickel

Housing / Bottom Cover : Thermoplastic , UL 94V-0, Color Black

Insert : Thermoplastic , UL 94V-0, Color Black

Contact Terminal / Phosphor Bronze, Solder Tail / Copper Alloy

15u" Gold on Contact Area, 100u" Tin on Solder, Both over 50u" Nickel Under-Plated

Coil Base : LCP , UL 94V-0, Color Black



RoHS Compliant

NOTE : Specifications subject to change without notice. Please check our website for latest information.

12.05.2008



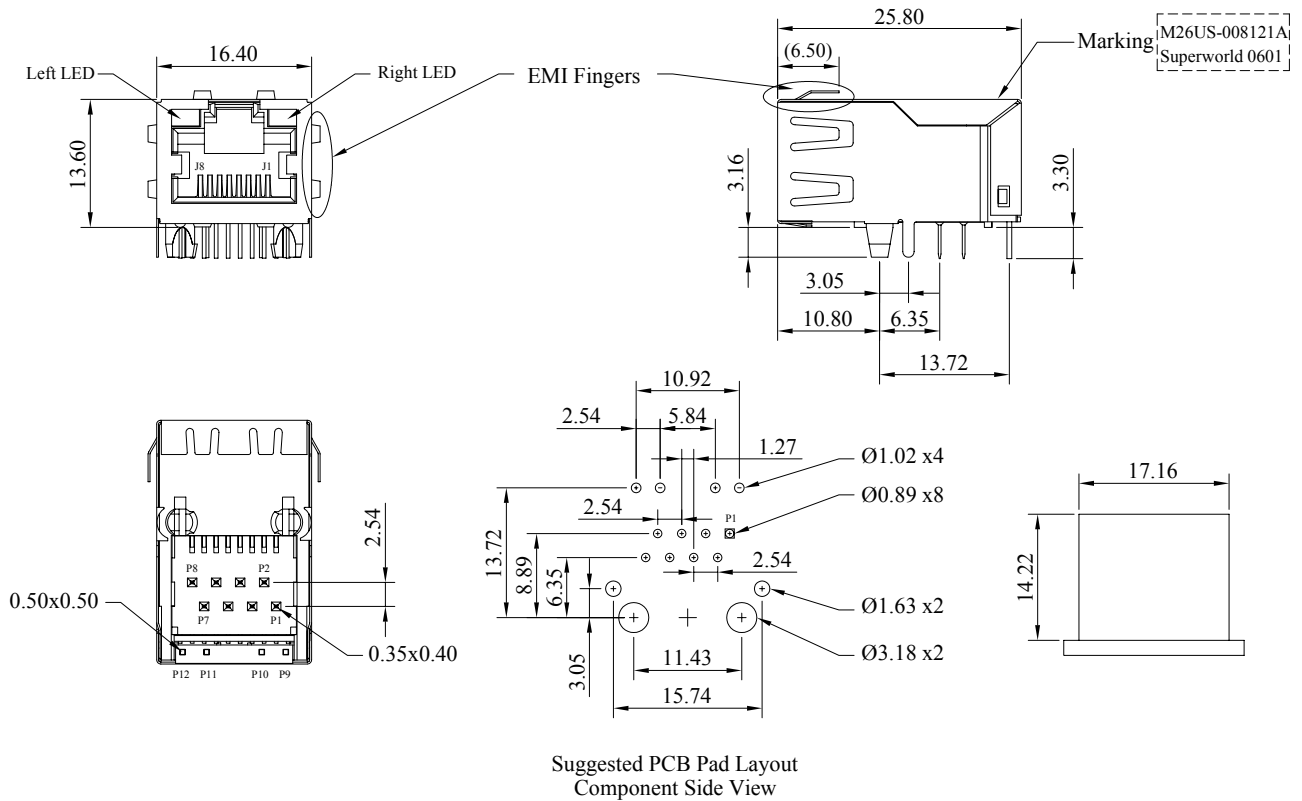
SUPERWORLD ELECTRONICS (S) PTE LTD

PG. 1

INTEGRATED MODULAR JACK

10/100 Base TX RJ45 Single Port Tab Up

MECHANICAL



- NOTES : 1. Tolerance : PCB $\pm 0.05\text{mm}$
Connector $\pm 0.25\text{mm}$
2. Connector dimensions comply with FCC 68.5 dimension requirements

NOTE : Specifications subject to change without notice. Please check our website for latest information.



RoHS Compliant

12.05.2008



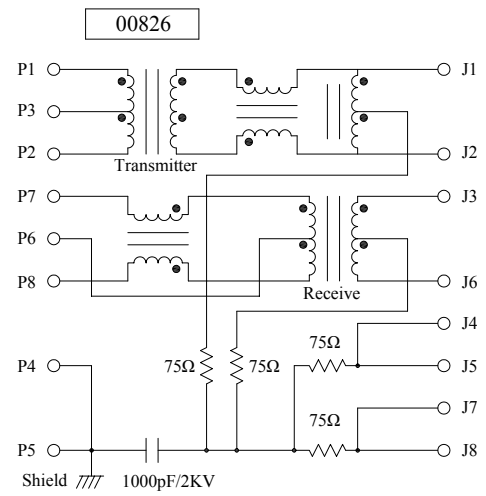
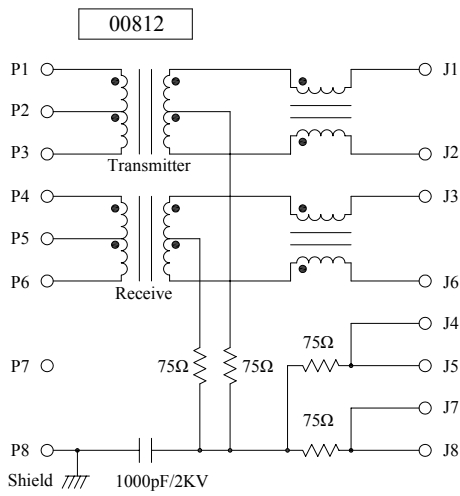
SUPERWORLD ELECTRONICS (S) PTE LTD

PG. 2

INTEGRATED MODULAR JACK

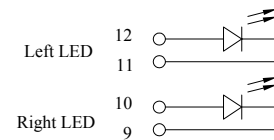
10/100 Base TX RJ45 Single Port Tab Up

SCHEMATIC



LED CONFIGURATION

Standard LED	Wavelength(λ)	V / IF=20mA	
		max.	typ.
Yellow	585nm	2.5 V	2.1 V
Green	570nm	2.5 V	2.1 V
Orange	605nm	2.5 V	2.1 V



RoHS Compliant

NOTE : Specifications subject to change without notice. Please check our website for latest information.

12.05.2008



SUPERWORLD ELECTRONICS (S) PTE LTD