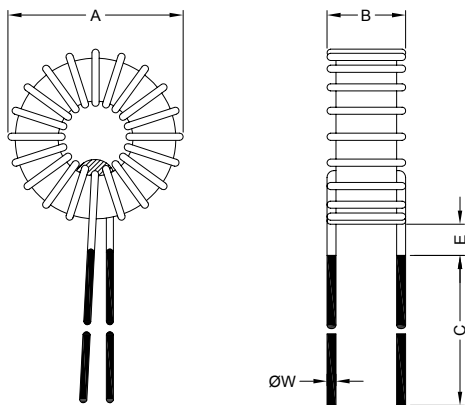


### 1. PART NO. EXPRESSION :

T B C 1 7 1 1 - 4 R 7 M - 2 6  
 (a) (b) (c) (d) (e)

- (a) Series code
- (b) Dimension code
- (c) Inductance code : 4R7 = 4.7uH
- (d) Tolerance code : M = ±20%
- (e) Material code

### 2. CONFIGURATION & DIMENSIONS :



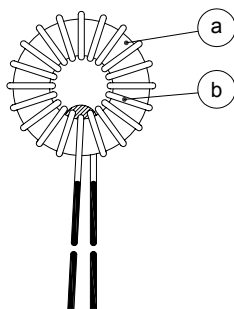
Unit:m/m

A	C	E
17.00 Max.	10.00±3.0	1.00 Max.

### 3. SCHEMATIC :



### 4. MATERIALS :



- (a) Core : Iron Powder Core
- (b) Wire : Enamelled Copper Wire



**RoHS Compliant**

NOTE : Specifications subject to change without notice. Please check our website for latest information.

19.06.2008

## 5. GENERAL SPECIFICATION :

- a) Temp. rise : 40°C Max. at I<sub>rms</sub>
- b) Storage temp. : -40°C to +125°C
- c) Operating temp. : -25°C to +105°C

## 6. ELECTRICAL CHARACTERISTICS :

Part No.	Inductance ( uH ) ±20%	DC Resistance ( mΩ ) Max.	I <sub>rms</sub> ( A )	I <sub>sat</sub> ( A )	Dimensions (mm)	
					B Max.	ØW
TBC1711-4R7M-26	4.7	3	10.0	7.35	11.0	1.3
TBC1711-6R8M-26	6.8	6	8.0	6.10	11.0	1.1
TBC1711-100M-26	10.0	10	6.0	4.90	11.0	0.9
TBC1711-390M-26	39.0	45	3.0	2.45	14.0	0.6
TBC1711-390M-52	39.0	45	3.0	2.95	14.0	0.6
TBC1711-700M-26	70.0	65	2.5	1.80	14.0	0.6
TBC1711-700M-52	70.0	65	2.5	2.20	14.0	0.6
TBC1711-111M-26	108.0	84	2.2	1.45	14.0	0.6
TBC1711-111M-52	108.0	84	2.2	1.75	14.0	0.6



**RoHS Compliant**

NOTE : Specifications subject to change without notice. Please check our website for latest information.

19.06.2008



**SUPERWORLD ELECTRONICS (S) PTE LTD**