

1. PART NO. EXPRESSION :

T B C 2 6 1 6 - 6 0 0 M - 2 6
 (a) (b) (c) (d) (e)

(a) Series code

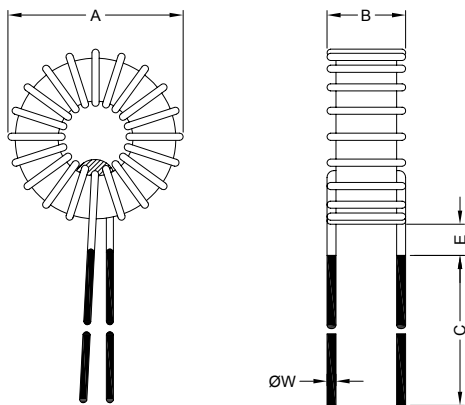
(b) Dimension code

(c) Inductance code : 600 = 60.0uH

(d) Tolerance code : M = ±20%

(e) Material code

2. CONFIGURATION & DIMENSIONS :



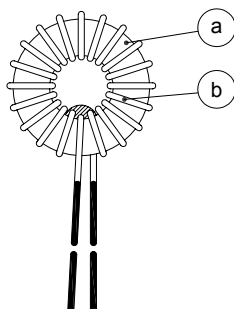
Unit:m/m

A	B	C	E	ØW
26.00 Max.	16.00 Max.	15.00±3.0	1.00 Max.	1.00 Ref.

3. SCHEMATIC :



4. MATERIALS :



(a) Core : Iron Powder Core

(b) Wire : Enamelled Copper Wire



RoHS Compliant

NOTE : Specifications subject to change without notice. Please check our website for latest information.

19.06.2008



SUPERWORLD ELECTRONICS (S) PTE LTD

5. GENERAL SPECIFICATION :

- a) Temp. rise : 40°C Max. at Irms
- b) Storage temp. : -40°C to +125°C
- c) Operating temp. : -25°C to +105°C

6. ELECTRICAL CHARACTERISTICS :

Part No.	Inductance (uH) ±20%	DC Resistance (mΩ) Max.	Irms (A)	Isat (A)
TBC2616-600M-26	60.0	24	4.00	3.95
TBC2616-600M-52	60.0	24	4.00	4.75
TBC2616-101M-26	105.0	38	3.20	2.95
TBC2616-101M-52	105.0	38	3.20	3.55
TBC2616-161M-26	165.0	46	3.00	2.35
TBC2616-161M-52	165.0	46	3.00	2.85



RoHS Compliant

NOTE : Specifications subject to change without notice. Please check our website for latest information.

19.06.2008



SUPERWORLD ELECTRONICS (S) PTE LTD