

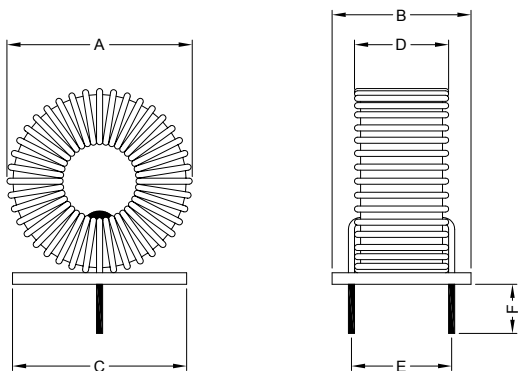
### 1. PART NO. EXPRESSION :

T B V - 1 0 0 M - 2 A - 3 0 2 6

(a) (b) (c) (d) (e) (f)

- (a) Series code
- (b) Inductance code : 100 = 10.0uH
- (c) Tolerance code : M = ±20%
- (d) 2A : Rated Current
- (e) Core OD : 30 = 0.3"
- (f) Material code

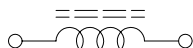
### 2. CONFIGURATION & DIMENSIONS :



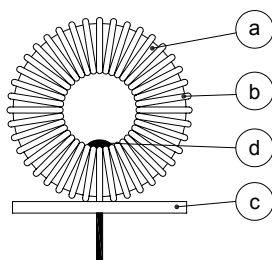
Unit:m/m

A	B	C	E	ØW
8.50 Max.	6.00 Max.	10.00±3.0	1.00 Max.	0.40 Ref.

### 3. SCHEMATIC :



### 4. MATERIALS :



- (a) Core : Iron Powder Core
- (b) Wire : Enamelled Copper Wire
- (c) Base : FR4 (or equivalent)
- (d) Adhesive : Epoxy



**RoHS Compliant**

NOTE : Specifications subject to change without notice. Please check our website for latest information.

19.06.2008

## 5. GENERAL SPECIFICATION :

- a) Temp. rise : 40°C Max. at Irms
- b) Storage temp. : -40°C to +125°C
- c) Operating temp. : -25°C to +105°C

## 6. ELECTRICAL CHARACTERISTICS :

Part No.	Inductance @ 1KHz		IDC ( A ) Max.	DCR ( Ω ) Max.
	@ Idc=0A ( μH )	@ Idc=Max ( μH )		
TBV-100M-2A-3026	10	7.7	2	0.017
TBV-120M-1A-3026	12	10.7	1	0.040
TBV-320M-1A-3026	32	25	1	0.065
TBV-8R2M-2A-3726	8.2	7.2	2	0.017
TBV-220M-2A-3726	22	17	2	0.030
TBV-240M-1A-3726	24	22	1	0.055
TBV-680M-1A-3726	68	53	1	0.095
TBV-150M-2A-4426	15	12.6	2	0.023
TBV-430M-1A-4426	43	37	1	0.074
TBV-680M-2A-4426	68	42	2	0.056
TBV-141M-1A-4426	140	104	1	0.140
TBV-200M-3A-5026	20	15	3	0.021
TBV-300M-2A-5026	30	25	2	0.035
TBV-600M-3A-5026	60	35	3	0.038
TBV-680M-1A-5026	68	60	1	0.101
TBV-101M-2A-5026	100	63	2	0.081
TBV-221M-1A-5026	220	162	1	0.190
TBV-220M-5A-6026	22	15	5	0.014
TBV-290M-4A-6026	29	20	4	0.020
TBV-350M-3A-6026	35	28	3	0.026
TBV-580M-2A-6026	58	45	2	0.061
TBV-900M-3A-6026	90	52.5	3	0.044
TBV-111M-2A-6026	110	79	2	0.069
TBV-131M-1.0A-6026	130	116	1	0.146
TBV-471M-1.0A-6026	470	310	1	0.286
TBV-250M-5.0A-6826	25	18	5	0.016
TBV-320M-4.0A-6826	32	24	4	0.021
TBV-430M-3.0A-6826	43	30	3	0.030
TBV-650M-4.0A-6826	65	55	2	0.055
TBV-111M-4.0A-6826	110	56	4	0.042
TBV-131M-3.0A-6826	130	77	3	0.055
TBV-151M-1.0A-6826	150	137	1	0.159
TBV-231M-2.0A-6826	230	148	2	0.108
TBV-501M-1.0A-6826	500	355	1	0.300

NOTE : Specifications subject to change without notice. Please check our website for latest information.

19.06.2008



## 6. ELECTRICAL CHARACTERISTICS :

Part No.	Inductance @ 1KHz		IDC ( A ) Max.	DCR ( Ω ) Max.
	@ I <sub>dc</sub> =0A ( μH )	@ I <sub>dc</sub> =Max. ( μH )		
TBV-500M-5.0A-8026	50	33	5	0.022
TBV-600M-4.0A-8026	60	42	4	0.030
TBV-750M-3.0A-8026	75	54	3	0.039
TBV-820M-3.0A-8026	82	60	3	0.042
TBV-101M-5.0A-8026	100	53	5	0.033
TBV-111M-2.0A-8026	110	90	2	0.074
TBV-151M-5.0A-8026	150	68	5	0.042
TBV-221M-4.0A-8026	220	105	4	0.059
TBV-271M-3.0A-8026	270	140	3	0.081
TBV-321M-2.0A-8026	320	193	2	0.131
TBV-431M-2.0A-8026	430	246	2	0.150
TBV-961M-1.0A-8026	960	625	1	0.438
TBV-900M-5.0A-9026	90	54	5	0.034
TBV-141M-3.0A-9026	140	98	3	0.064
TBV-201M-2.0A-9026	200	154	2	0.114
TBV-321M-5.0A-9026	320	120	5	0.068
TBV-451M-2.0A-9026	450	280	2	0.174
TBV-471M-1.0A-9026	470	398	1	0.354
TBV-471M-3.0A-9026	470	225	3	0.118
TBV-182M-1.0A-9026	1800	1130	1	0.680
TBV-820M-5.0A-9426	82	52	5	0.033
TBV-101M-4.0A-9426	100	69	4	0.042
TBV-131M-3.0A-9426	130	96	3	0.061
TBV-221M-2.0A-9426	220	170	2	0.121
TBV-301M-5.0A-9426	300	120	5	0.064
TBV-391M-4.0A-9426	390	165	4	0.088
TBV-471M-1.0A-9426	470	400	1	0.342
TBV-501M-3.0A-9426	500	242	3	0.124
TBV-781M-2.0A-9426	780	428	2	0.225
TBV-132M-1.0A-9426	1300	933	1	0.585



**RoHS Compliant**

NOTE : Specifications subject to change without notice. Please check our website for latest information.

19.06.2008



**SUPERWORLD ELECTRONICS (S) PTE LTD**

## 6. ELECTRICAL CHARACTERISTICS :

Part No.	Inductance @ 1KHz		IDC ( A ) Max.	DCR ( Ω ) Max.
	@ Idc=0A ( μH )	@ Idc=Max ( μH )		
TBV-300M-10A-10626	30	21	10	0.009
TBV-350M-10A-10626	35	25	10	0.010
TBV-560M-7.0A-10626	56	41.5	7	0.020
TBV-680M-7.0A-10626	68	46	7	0.021
TBV-820M-7.0A-10626	82	53	7	0.023
TBV-101M-5.0M-10626	100	75	5	0.036
TBV-151M-4.0A-10626	150	110	4	0.053
TBV-201M-3.0A-10626	200	157	3	0.078
TBV-301M-2.0A-10626	300	250	2	0.142
TBV-851M-2.0A-10626	850	567	2	0.211
TBV-750M-10A-13026	75	43	43	0.014
TBV-131M-7.0A-13026	130	79	79	0.031
TBV-201M-5.0A-13026	200	134	134	0.056
TBV-251M-10A-13026	250	105	105	0.027
TBV-471M-7.0A-13026	470	190	190	0.064
TBV-681M-5.0A-13026	680	295	295	0.105



**RoHS Compliant**

NOTE : Specifications subject to change without notice. Please check our website for latest information.

19.06.2008



**SUPERWORLD ELECTRONICS (S) PTE LTD**