

1. Part No. Expression:

L 3 – 4 7 N K - □□

(a) (b) (c) (d)

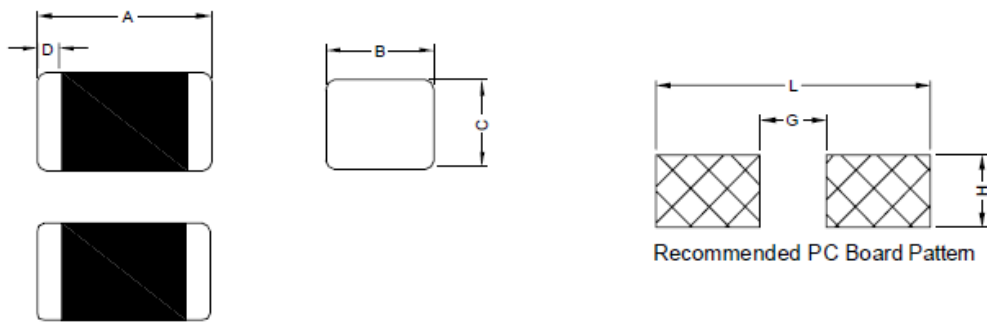
(a) Series Code

(c) Tolerance Code

(b) Inductance Code

(f) 10: Standard Code

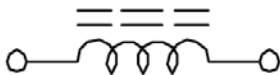
2. Configuration & Dimensions :



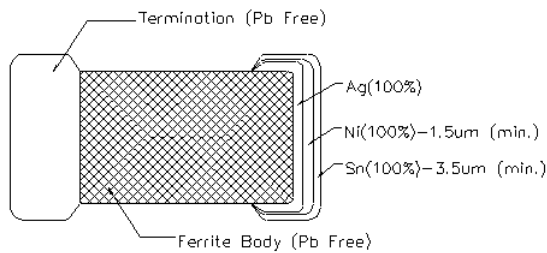
Unit: mm

A	B	C	D	G	H	L
2.00 ± 0.20	1.25 ± 0.20	See Table Below	0.50 ± 0.30	1.00 Ref.	1.45 Ref.	3.10 Ref.

3. Schematic



4. Material List



NOTE: Specifications subject to change without notice. Please check our website for latest information.

5. General Specification

- a) Operating Temperature: - 40°C to +105°C (including self-temperature rise)
- b) Storage Condition (component in its packaging)
 - i) Temperature: Less than 40°C
 - ii) Humidity: 60% RH

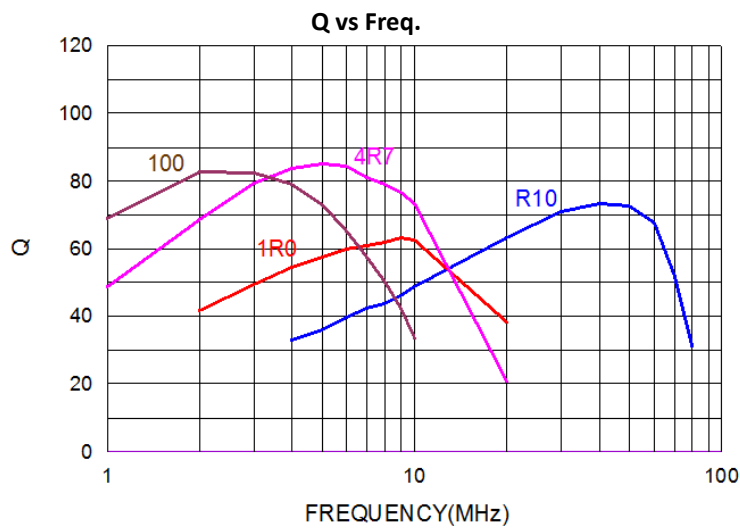
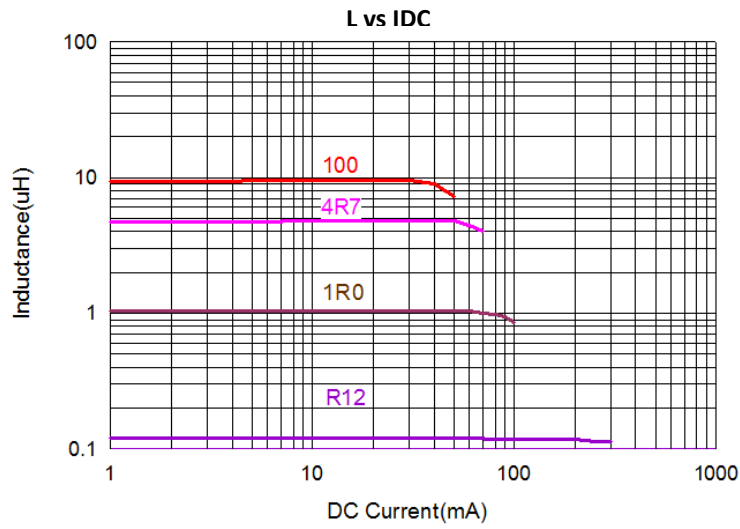
6. Electrical Characteristics

Part No.	Dimension C (mm)	Inductance (uH)		Q		Rated Current (mA) Max.	DCR (Ω) Max.	SRF (MHz) Min.
		Tolerance	Test Frequency (Hz)	Min.	Test Frequency (MHz)			
L3-47N□-10	0.85±0.20	0.047	60mV / 50M	15	50	300	0.20	320
L3-68N□-10	0.85±0.20	0.068	60mV / 50M	15	50	300	0.20	280
L3-82N□-10	0.85±0.20	0.082	60mV / 50M	15	50	300	0.20	255
L3-R10□-10	0.85±0.20	0.10	60mV / 25M	20	25	250	0.30	235
L3-R12□-10	0.85±0.20	0.12	60mV / 25M	20	25	250	0.30	220
L3-R15□-10	0.85±0.20	0.15	60mV / 25M	20	25	250	0.40	200
L3-R18□-10	0.85±0.20	0.18	60mV / 25M	20	25	250	0.40	185
L3-R22□-10	0.85±0.20	0.22	60mV / 25M	20	25	250	0.50	170
L3-R27□-10	0.85±0.20	0.27	60mV / 25M	20	25	250	0.50	150
L3-R33□-10	0.85±0.20	0.33	60mV / 25M	20	25	250	0.55	145
L3-R39□-10	0.85±0.20	0.39	60mV / 25M	25	25	200	0.65	135
L3-R47□-10	1.25±0.20	0.47	60mV / 25M	25	25	200	0.65	125
L3-R56□-10	1.25±0.20	0.56	60mV / 25M	25	25	150	0.75	115
L3-R68□-10	1.25±0.20	0.68	60mV / 25M	25	25	150	0.80	105
L3-1R0□-10	0.85±0.20	1.0	60mV / 10M	45	10	50	0.40	75
L3-1R5□-10	0.85±0.20	1.5	60mV / 10M	45	10	50	0.50	60
L3-1R8□-10	0.85±0.20	1.8	60mV / 10M	45	10	50	0.60	55
L3-2R2□-10	0.85±0.20	2.2	60mV / 10M	45	10	30	0.65	50
L3-2R7□-10	1.25±0.20	2.7	60mV / 10M	45	10	30	0.75	45
L3-3R3□-10	1.25±0.20	3.3	60mV / 10M	45	10	30	0.80	41
L3-4R7□-10	1.25±0.20	4.7	60mV / 10M	45	10	30	1.00	35
L3-100□-10	1.25±0.20	10.0	60mV / 2M	45	2	15	1.15	24

Note: □ Tolerance: K=±10%, L=±15%, M=±20%

NOTE: Specifications subject to change without notice. Please check our website for latest information.

7. Characteristics Curves



NOTE: Specifications subject to change without notice. Please check our website for latest information.



8. Soldering

Mildly activated rosin fluxes are preferred. The terminations are suitable for re-flow soldering systems. If hand soldering cannot be avoided, the preferred technique is the utilization of hot air soldering tools.

Note:

If wave soldering is used, there will be some risk.

Re-flow soldering temperatures below 240°C, there will be non-wetting risk

8-1 Solder Re-flow:

Recommended temperature profiles for lead free re-flow soldering in Figure 1.

8-2 Soldering Iron (Figure 2):

Products attachment with soldering iron is discouraged due to the inherent process control limitations. In the event that a soldering iron must be employed the following precautions are recommended.

Note:

- a) Preheat circuit and products to 150°C.
- b) 350°C tip temperature (Max.)
- c) Never contact the ceramic with the iron tip
- d) 1.0mm tip diameter (Max.)
- e) Use a 20 watt soldering iron with tip diameter of 1.0mm
- f) Limit soldering time to 4~5 secs.

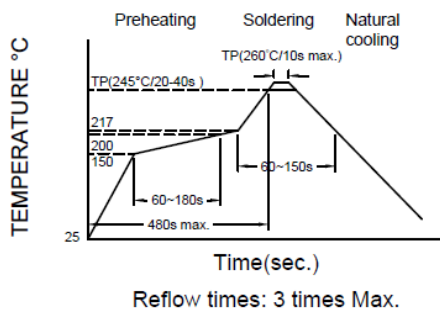


Fig.1

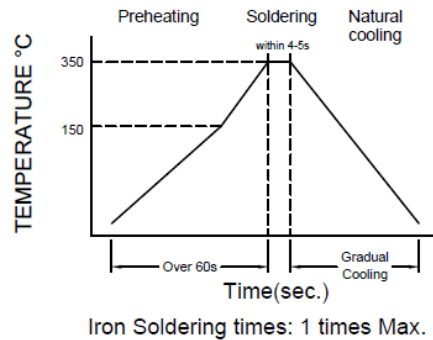


Fig.2

8-3 Soldering Volume:

Accordingly increasing the solder volume, the mechanical stress to product is also increased. Exceeding solder volume may cause the failure of mechanical or electrical performance. Solder shall be used not to be exceeding as shown in the Figure 3. Minimum fillet height = soldering thickness + 25% product height.

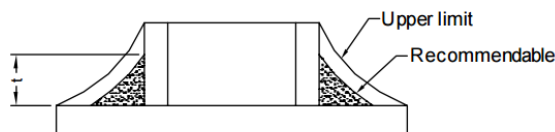
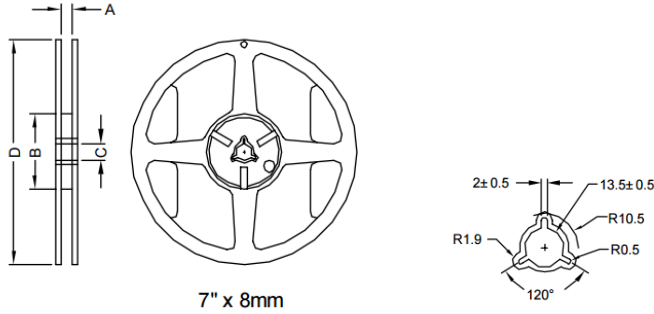


Figure 3

NOTE: Specifications subject to change without notice. Please check our website for latest information.

9. Packaging Information

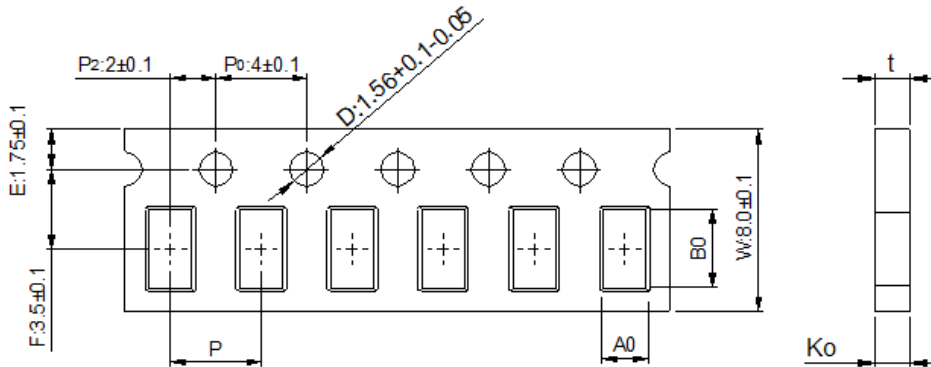
9-1 Reel Dimension



Type	A (mm)	B (mm)	C (mm)	D (mm)
7" x 8mm	9.0 ± 0.5	60.0 ± 2.0	13.5 ± 0.5	178.0± 2.0

9-2 Tape Dimension

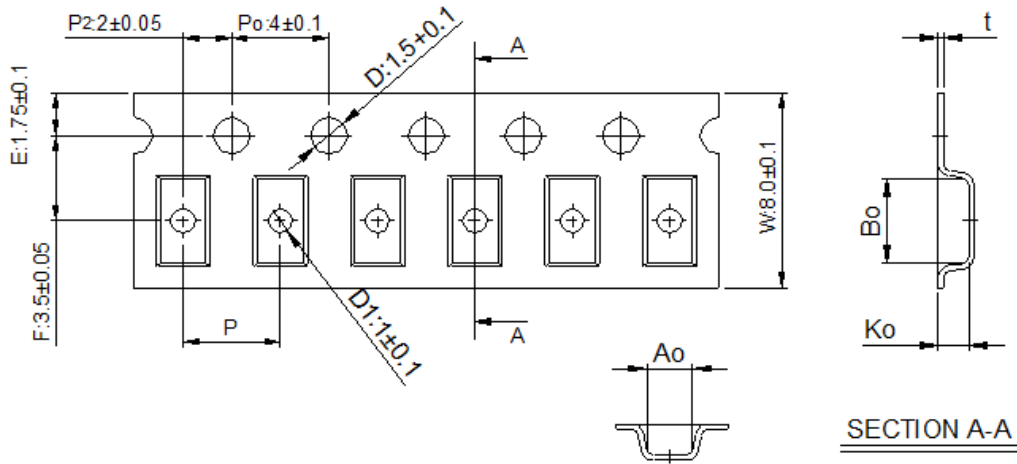
Material of taping is paper



Size	Bo(mm)	Ao(mm)	Ko(mm)	P(mm)	t(mm)
201209	2.10±0.05	1.30±0.05	0.95±0.05	4.0±0.10	0.95±0.05

NOTE: Specifications subject to change without notice. Please check our website for latest information.

Material of taping is plastic

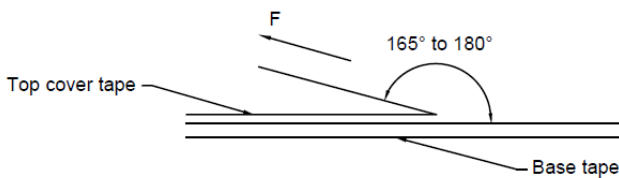


Size	Bo(mm)	Ao(mm)	Ko(mm)	P(mm)	t(mm)	D1(mm)
201212	2.10±0.10	1.28±0.10	1.28±0.10	4.0±0.10	0.22±0.05	1.0±0.10

9-3. Packaging Quantity

Size	201209	201212
Chip/ Reel	4000	2000
Inner Box	20000	10000
Middle Box	100000	50000
Carton	200000	100000

9-4. Tearing Off Force



The force for tearing off cover tape is 15 to 60 grams in the arrow direction under the following conditions.

Room Temp (°C)	Room Humidity (%)	Room atm (hPa)	Tearing Speed (mm/min)
5 - 35	45 - 85	860 - 1060	300

NOTE: Specifications subject to change without notice. Please check our website for latest information.

Application Notice:

1. Storage Conditions:

To maintain the solderability of terminal electrodes:

- a) Recommended products should be used within 12 months from the time of delivery.
- b) The packaging material should be kept where no chlorine or sulfur exists in the air.

2. Transportation:

- a) Products should be handled with care to avoid damage or contamination from perspiration and skin oils.
- b) Vacuum pick up is strongly recommended for individual components.
- c) Bulk handling should ensure that abrasion and mechanical shock are minimized.

NOTE: Specifications subject to change without notice. Please check our website for latest information.

