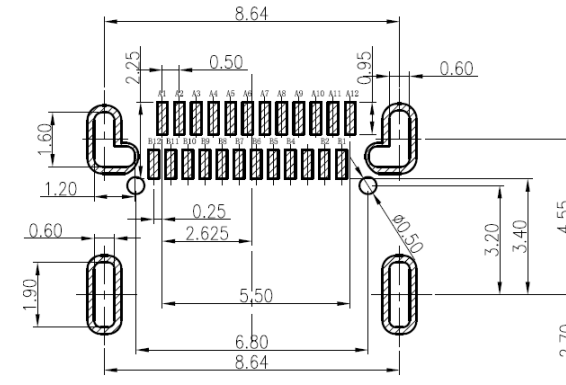
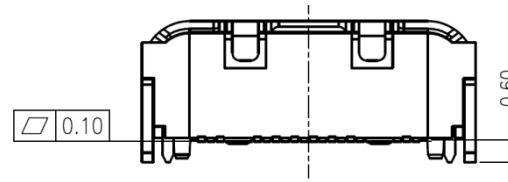
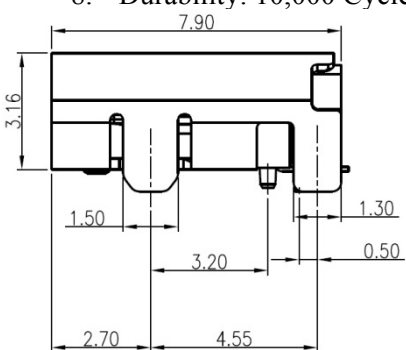
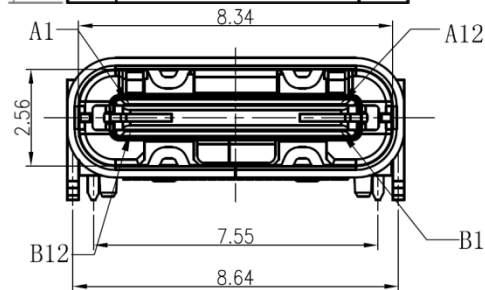
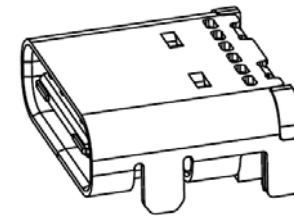
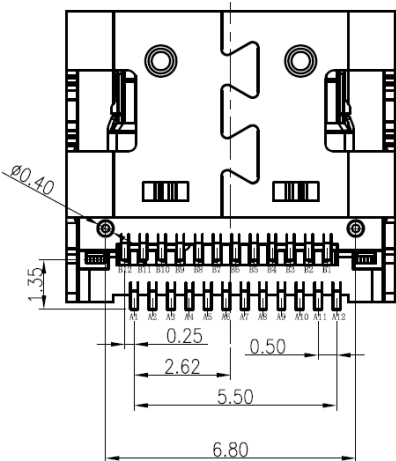


Specification:

1. Current Rating: 3A Max.
2. Voltage: 100VAC
3. Temperature Range: -30°C - 85°C
4. Contact Resistance: 40mΩ Max.
5. Insulation Resistance: 100MΩ Min.
6. Insertion Force: 5N-20N
7. Un-mating Force: 8N-20N
8. Durability: 10,000 Cycles



RECOMMENDED P.C.B. LAYOUT
TOLERANCE UNSPECIFIED ±0.05mm



A1	GND	B12	GND
A2	SSTXP1	B11	SSRXP1
A3	SSTXN1	B10	SSRXN1
A4	VBUS	B9	VBUS
A5	CC1	B8	SBU2
A6	DP1	B7	DN2
A7	DN1	B6	DP2
A8	SBU1	B5	CC2
A9	VBUS	B4	VBUS
A10	SSRXN2	B3	SSTXN2
A11	SSRXP2	B2	SSTXP2
A12	GND	B1	GND
PIN	SIGNAL NAME	PIN	SIGNAL NAME

5	Shell	Stainless Steel (Ni Plated)
4	Spring	Stainless Steel
3	Shielding Plate	Stainless Steel (Ni/Sn Plated)
2	Contact	Copper Alloy Contact Area(Au) Solder Area (Sn Plated) Under Plating (Ni Plated)
1	Housing	LCP (Black)
No.	Description	Material

				Tolerance: Angle: ±3° Decimals: X. = ±0.30 .X = ±0.20 .XX = ±0.10 .XXX = NA	TITLE: CONNECTOR – USB TYPE C	
					DRAWN : WS CHENG	SHEET 1 OF 1
O	NEW RELEASE	WS CHENG	05.09.2017		CHECKED : MARICARL VIA	PART NO: US03-17004
REV.	DESCRIPTION	DRAWN	DATE		APPROVED : DANNY SEE	DWG NO: -



Superworld Electronics