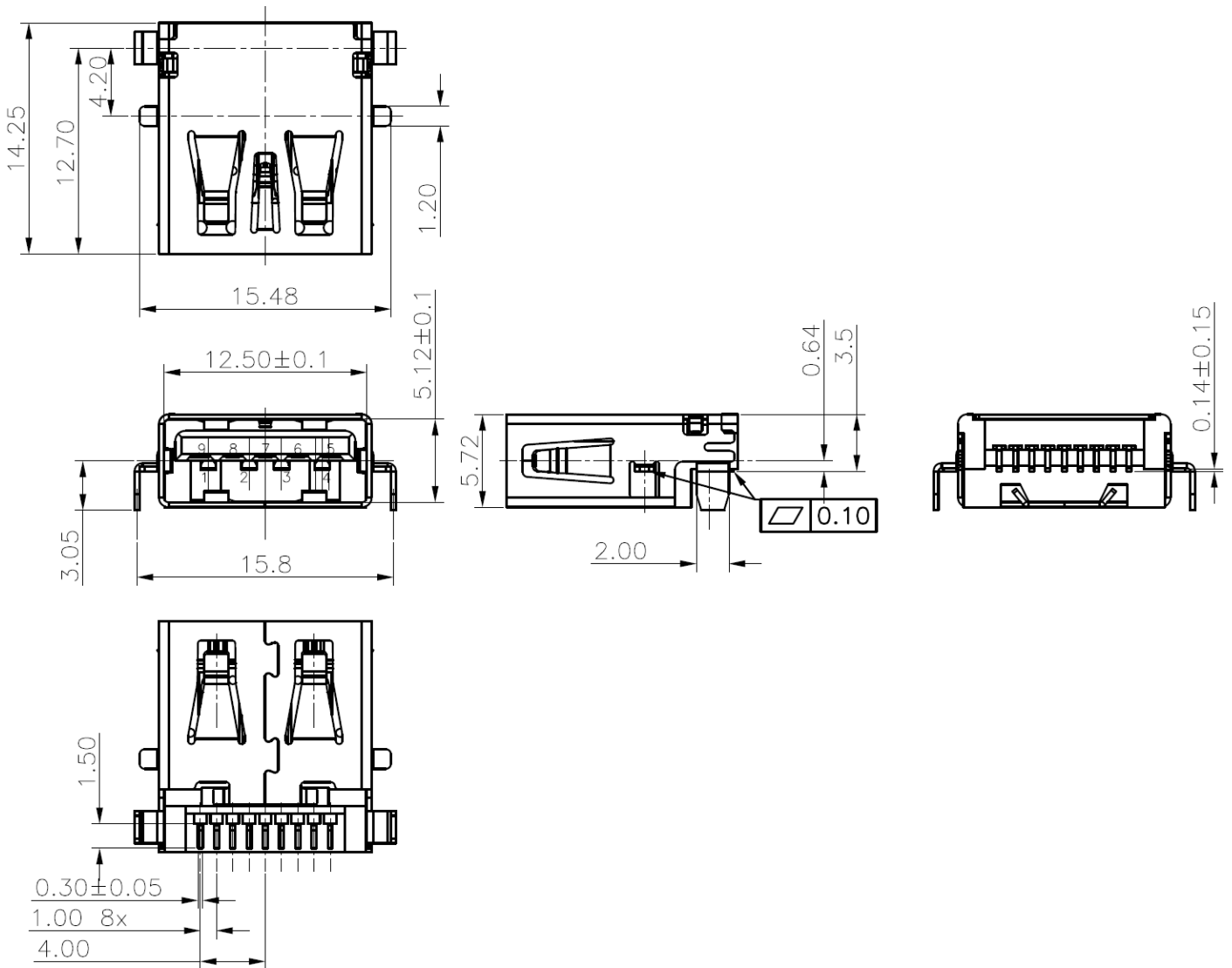


1. Configuration & Dimensions : (Unit : mm)

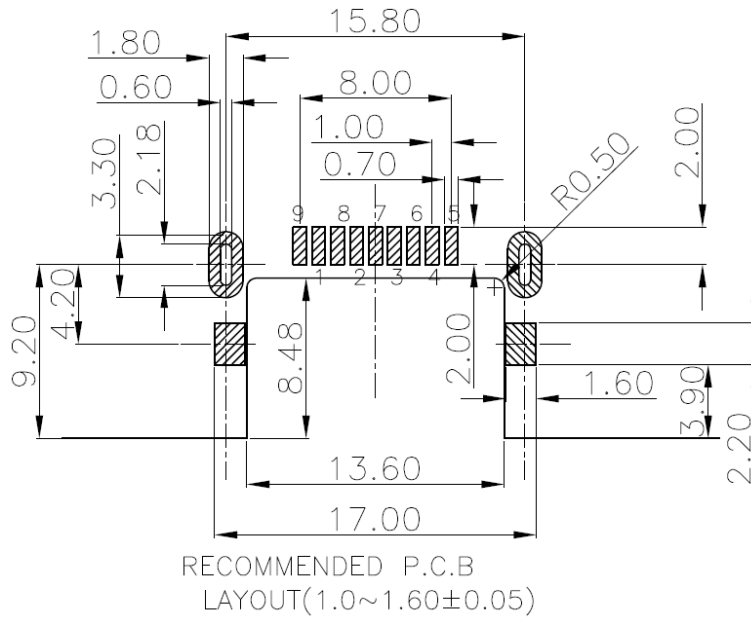


Tolerance:
 Angle: ±3°
 Decimals: X. = ±0.5
 .X = ±0.35
 .XX = ±0.25
 .XXX = ±0.1

NOTE: Specifications subject to change without notice. Please check our website for latest information.



2. Recommended PCB Layout



3. Pin Configuration

Pin NUMBER	SIGNAL NAME
1	VBUS
2	D-
3	D+
4	GND
5	StdA_SSRX-
6	StdA_SSRX+
7	GND_DRAIN
8	StdA_SSTX-
9	StdA_SSTX+
Shell	Shield

NOTE: Specifications subject to change without notice. Please check our website for latest information.



4. Material:

- 4-1. Housing: Thermoplastic, UL94V-0 Color: Blue
- 4-2. Contact: Copper Alloy, Au/ 80u" Min. Tin Plated
- 4-3. Shell: Bronze 50u" Min. Nickel Plated

5. Electrical Characteristic :

- 5-1. Contact Resistance: 30 mΩ Max.
- 5-2. Insulation Resistance: 100 MΩ Min.
- 5-3. Withstand Voltage: 100V, 1min

6. Mechanical Characteristic:

- 6-1. Durability: 1500 Cycle

7. General Characteristic:

- 7-1. Operating Temperature: -25°C to +85°C

NOTE: Specifications subject to change without notice. Please check our website for latest information.

