

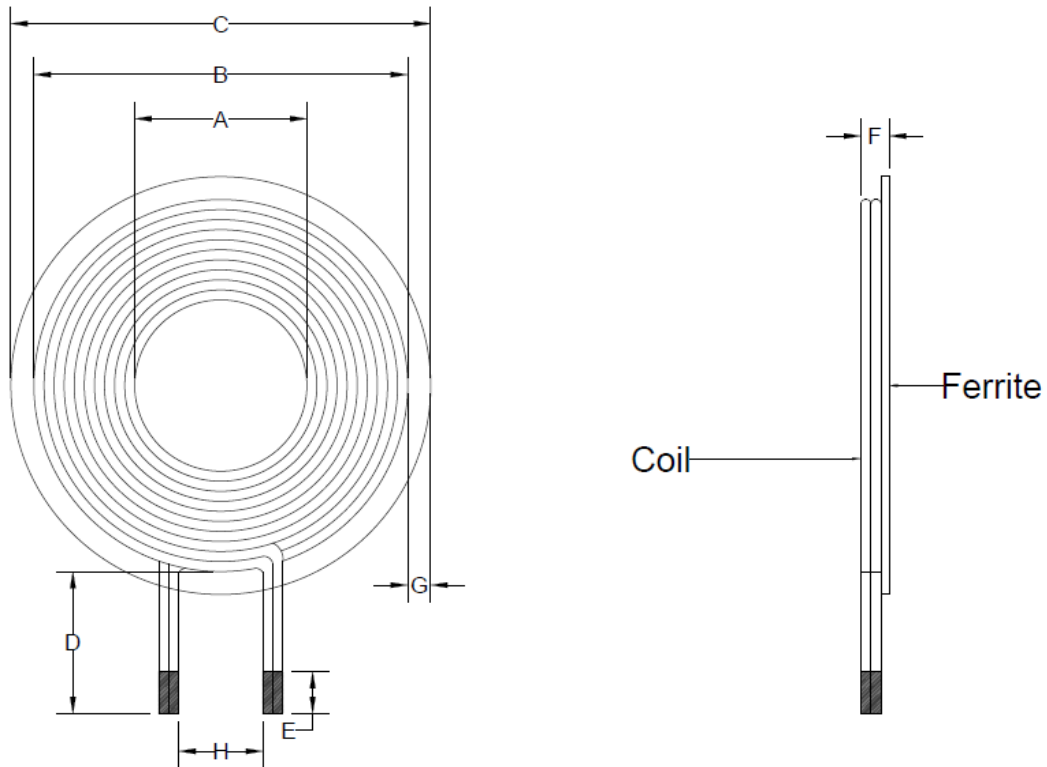
**1. Part No. Expression:**

**SCTQ50036R3KA11D**

(a) (b) (c) (d) (e) (f) (g)

- a) Series Code
- b) Internal Code
- c) Dimension Code
- d) Inductance Code
- e) Tolerance Code
- f) Qi Design Type Code
- g) Winding Code

**2. Configuration & Dimensions: (Unit:- mm)**



A	B	C	D	E	F	G	H
20.5±0.5	44.0±1.5	50.0±0.5	17.0±2.0	5.0±2.0	4.0 Max	2.0 Min	10.0 Ref

NOTE: Specifications subject to change without notice. Please check our website for latest information.



**3. Schematic:**



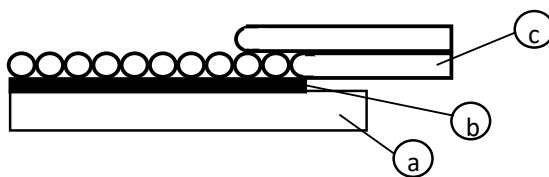
**4. Electrical Characteristics:**

Inductance (uH)	Test Frequency (Hz)	DCR (mΩ)	Irms (mA)
6.3±10%	1V/100K	25 Max	10000 Max

**5. General Specifications:**

- a) Operating Temp: -40°C ~ +125°C
- b) Storage Temp: -40°C ~ +125°C (packaging)
- c) I<sub>rms</sub>: Based on temp. rise up to 40°C Max.
- d) Power Rating: 5W
- e) Compatible to Qi standard A11 design.

**6. Material List:**



- (a) Ferrite Sheet (MnZn)
- (b) Adhesive
- (c) Wire

NOTE: Specifications subject to change without notice. Please check our website for latest information.