

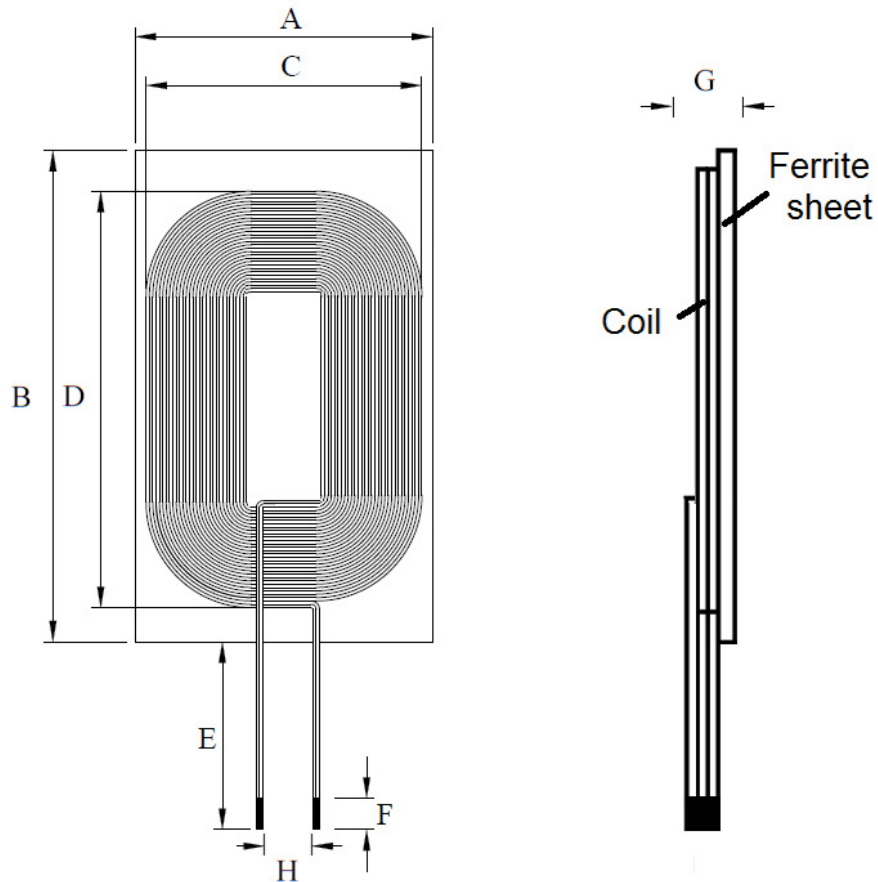
1. Part No. Expression:

**SRXQ10300612R8KB**

(a) (b) (c) (d) (e)(f)

- a) Series Code
- b) Internal Code
- c) Dimension Code
- d) Inductance Code
- e) Tolerance Code
- f) Winding Code

2. Configuration & Dimensions: (Unit-mm)



A	B	C	D	E	F	G	H
10.0±0.5	30.0±0.5	9.5 Ref	23.0 Ref	20.0±2.0	5.0±2.0	1.0 Max	5.0 Ref

NOTE: Specifications subject to change without notice. Please check our website for latest information.



### 3. Schematic:



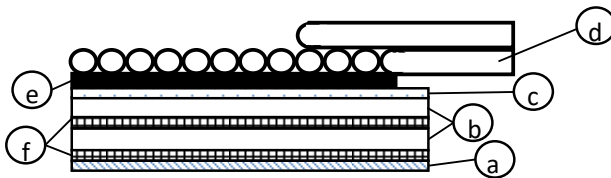
### 4. Electrical Characteristics:

Inductance (uH)	Test Frequency (Hz)	DCR (mΩ)	Irms (A)
12.8±10%	1V/100K	780 Max	0.8 Max

### 5. General Specifications:

- a) Operating Temp: -40°C ~ +125°C
- b) Storage Temp: -40°C ~ +125°C (packaging).
- c) Irms: Based on temp. rise up to 40°C Max.
- d) Power Rating: 3.5W

### 6. Material List:



- (a) Release Film
- (b) Ferrite Sheet (Nano Crystalline)
- (c) PET Film
- (d) Wire
- (e) Adhesive
- (f) Double Adhesive

NOTE: Specifications subject to change without notice. Please check our website for latest information.