

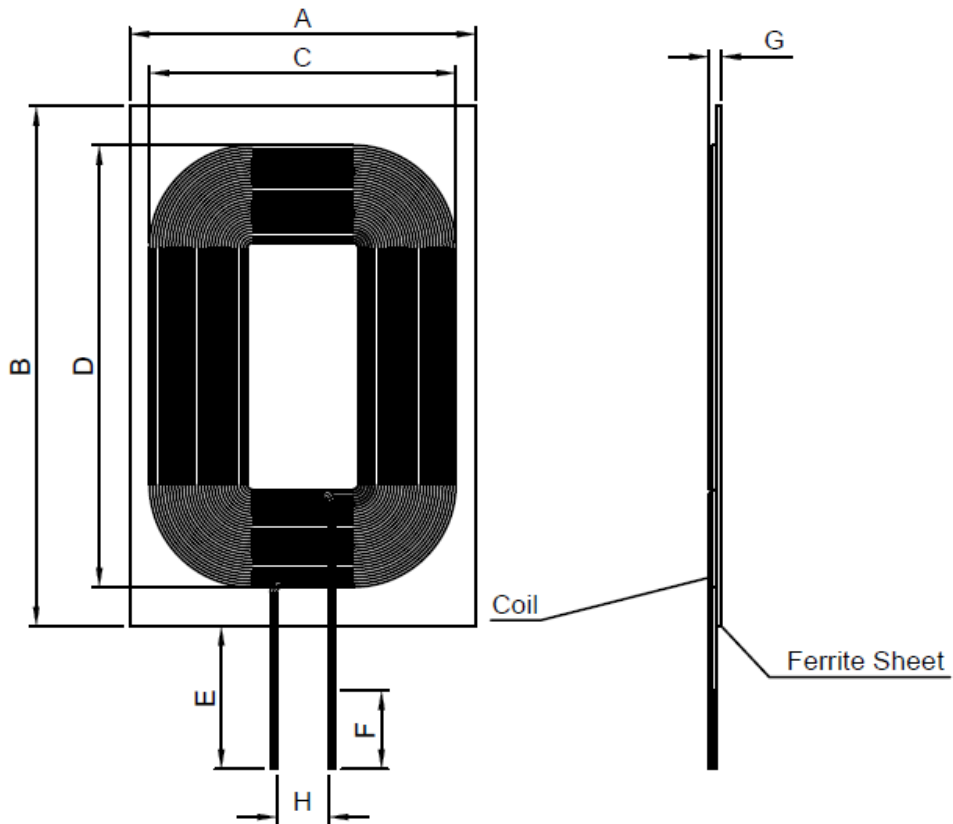
1. Part No. Expression:

SRXQ483215120KB

(a) (b) (c) (d) (e)(f)

- a) Series Code
- b) Internal Code
- c) Dimension Code
- d) Inductance Code
- e) Tolerance Code
- f) Winding Code

2. Configuration & Dimensions: (Unit-mm)



A	B	C	D	E	F	G	H
32.0±0.5	48.0±0.5	31.0 Ref	41.2 Ref	25.0±2.0	5.0±2.0	1.5 Max	5.0 Ref

NOTE: Specifications subject to change without notice. Please check our website for latest information.

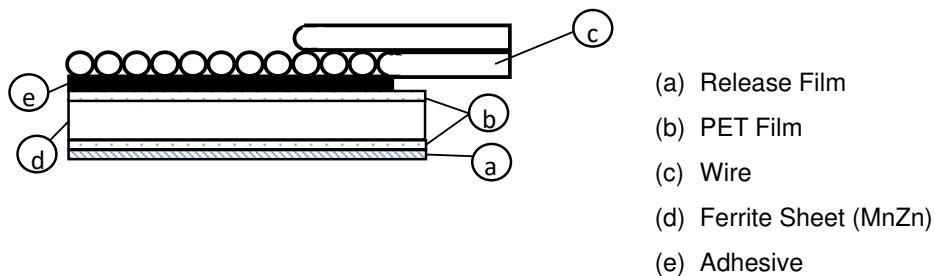


3. Schematic:**4. Electrical Characteristics:**

Inductance (uH)	Test Frequency (Hz)	DCR (mΩ)	Irms (A)
12.0±10%	1V/100K	200 Max	3.0 Max

5. General Specification:

- a) Operating Temp.: -40°C ~ +125°C
- b) Storage Temp.: -40°C ~ +125°C (packaging)
- c) Irms: Based on temp. rise up to 40°C Max.
- d) Power Rating: 5W

6. Material List:

NOTE: Specifications subject to change without notice. Please check our website for latest information.