

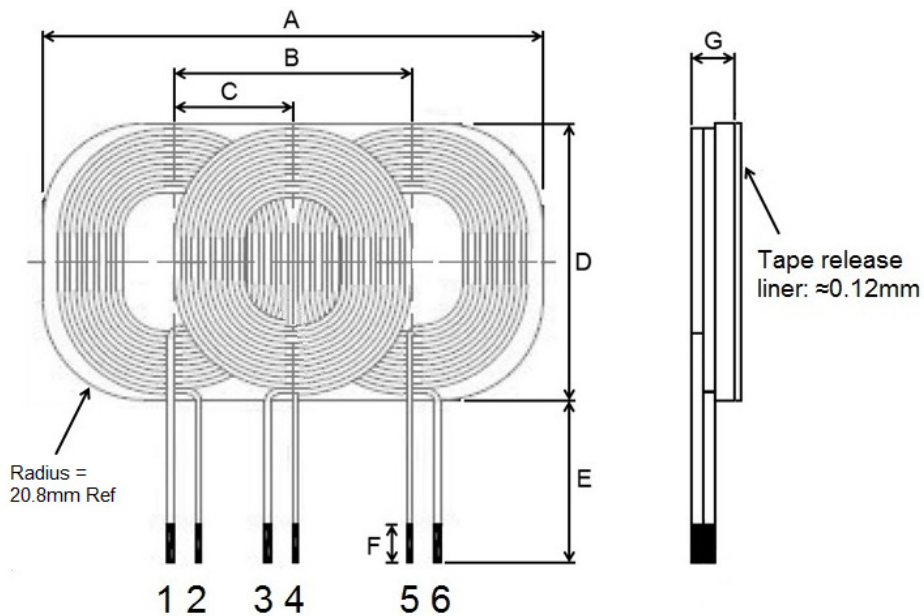
## 1. Part No. Expression:

**STXQ1015704MPA9**

(a) (b) (c) (d)

- a) Series Code
- b) Internal Code
- c) Dimension Code
- d) Qi Design Type Code

## 2. Configuration & Dimensions: (Unit: mm)

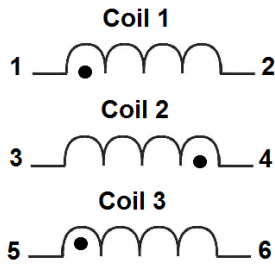


Note: Dimension G does not include release paper.

A	B	C	D	E	F	G
101.5±1.0	48.8±4.0	24.4±2.0	56.8±0.6	48.0 Ref	5.0 Ref	4.7 Typ

NOTE: Specifications subject to change without notice. Please check our website for latest information.

**3. Schematic:**



**4. Electrical Characteristics:**

Coil 1 and 3:

Inductance (uH)	Test Frequency (Hz)	Q-Factor	DCR (mΩ)	Irms (mA)
9.8±10%	1V/100K	100 Typ	80 Max	7000 Typ

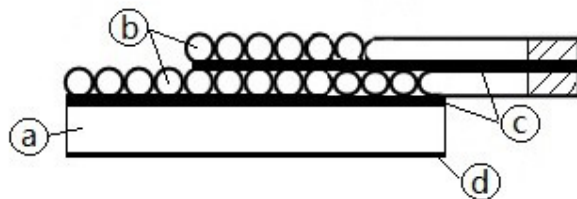
Coil 2:

Inductance (uH)	Test Frequency (Hz)	Q-Factor	DCR (mΩ)	Irms (mA)
10.2±10%	1V/100K	100 Typ	80 Max	7000 Typ

**5. General Specifications:**

- a) Operating Temp: -40°C ~ +125°C
- b) Storage Temp: -40°C ~ +125°C (packaging)
- c) I<sub>rms</sub>: Based on temp. rise up to 40°C Max.
- d) Power Rating: 15W
- e) Compatible to Qi standard MP-A9 design.

**6. Material List:**



- a) Ferrite Sheet (MnZn)
- b) Wire
- c) Adhesive
- d) Double Sided Tape

NOTE: Specifications subject to change without notice. Please check our website for latest information.