

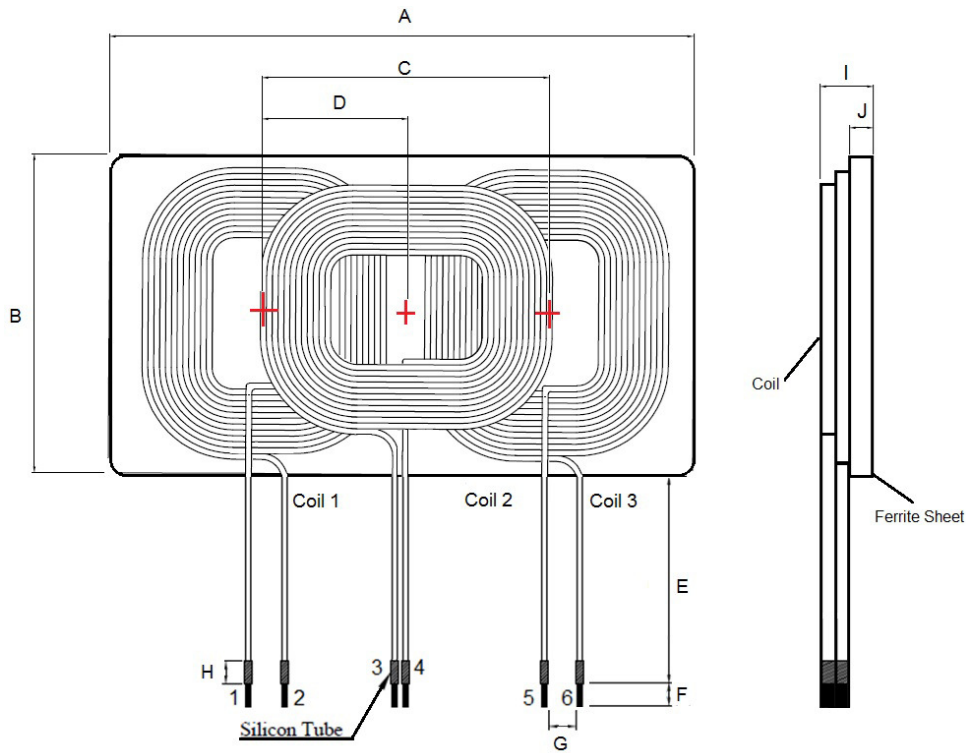
1. Part No. Expression:

STXQ1085406120KTHM

(a) (b) (c) (d) (e) (f)

- a) Series Code
- b) Internal Code
- c) Dimension Code
- d) Inductance Code
- e) Tolerance Code
- f) Special Code

2. Configuration & Dimensions: (Unit-mm)



Note:

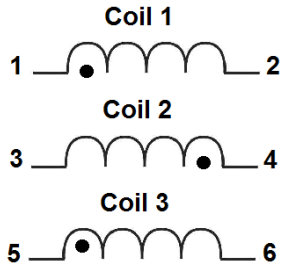
- Pin 1, 4, & 5: Red Silicon Tube
- Pin 2, 3, & 6: Black Silicon Tube

A	B	C	D	E	F	G	H
106.0±1.	53.0±0.5	49.2±4.0	24.6±2.0	20.0±2.0	5.0±1.0	5.0 Ref.	5.0±1.0
I	J						
6.0 Max.	2.5±0.5						

NOTE: Specifications subject to change without notice. Please check our website for latest information.



3. Schematic:



4. Electrical Characteristics:

Coil 1 and 3:

Inductance (uH)	Test Frequency (Hz)	DCR (mΩ)	DCR (mΩ)	Irms (mA)
12.5±10%	1V/100K	60 Typ	80 Max	6500 Max

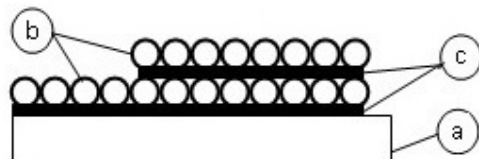
Coil 2:

Inductance (uH)	Test Frequency (Hz)	DCR (mΩ)	DCR (mΩ)	Irms (mA)
11.5±10%	1V/100K	60 Typ	80 Max	6500 Max

5. General Specifications:

- a) Operating Temp: -40°C ~ +125°C
- b) Storage Temp: -40°C ~ +125°C (packaging)
- c) Irms: Based on temp. rise up to 40°C Max.
- d) Power Rating: 5W
- e) Compatible to Qi standard A6 design.

6. Material List:



- (a) Ferrite Sheet (MnZn)
- (b) Wire
- (c) Adhesive

NOTE: Specifications subject to change without notice. Please check our website for latest information.