

## 1. Part No. Expression:

**STXQ995503MPA6**

(a) (b) (c) (d)

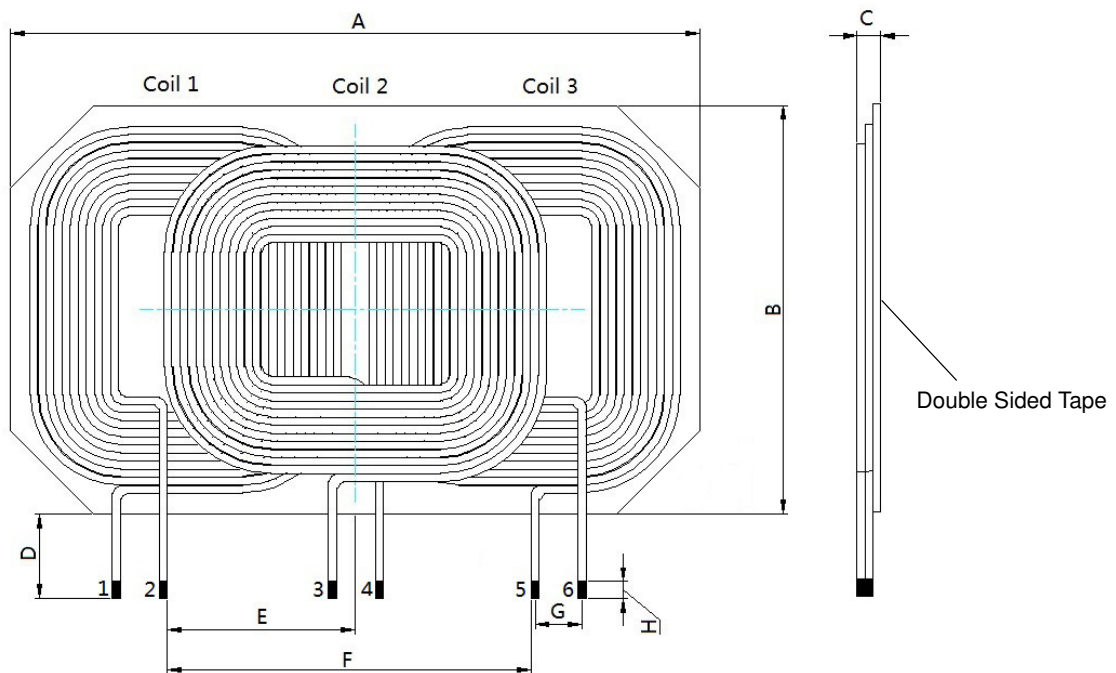
a) Series Code

c) Dimension Code

b) Internal Code

d) Qi Design Type Code

## 2. Configuration & Dimensions: (Unit: mm)



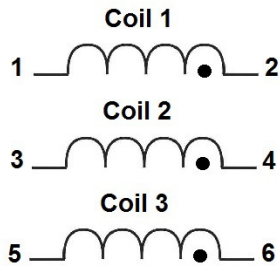
A	B	C	D	E	F	G	H
99.0±1.0	55.6±0.6	4.5 Max	13±1.5	23.0±2.0	46.0±4.0	8.0 Ref	5.0±1.0

Notes:

1) Dimension C does not include release paper.

NOTE: Specifications subject to change without notice. Please check our website for latest information.

**3. Schematic:**



**4. Electrical Characteristics:**

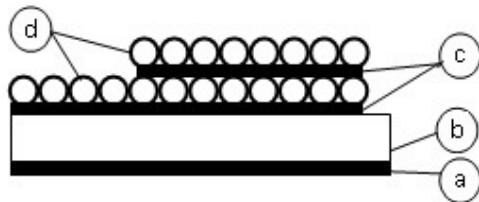
Coil 1 ,2 and 3:

Inductance (uH)	Test Frequency (Hz)	DCR (mΩ)	Irms (mA)
11.3±0.7	1V/100K	80 Max	6500 Max

**5. General Specification:**

- a) Storage Temp: -40°C ~ +125°C
- b) Storage Temp: -40°C ~ +125°C (packaging)
- c) I<sub>rms</sub>: Based on temp. rise up to 40°C Max.
- d) Power Rating: 15W
- e) Compatible to Qi standard MP-A6 design.

**6. Material List:**



- a) Double Sided Tape
- b) Ferrite Sheet (MnZn)
- c) Adhesive
- d) Wire

NOTE: Specifications subject to change without notice. Please check our website for latest information.