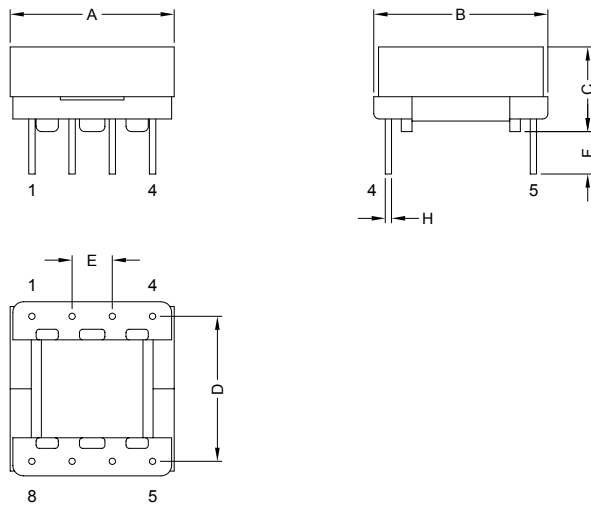


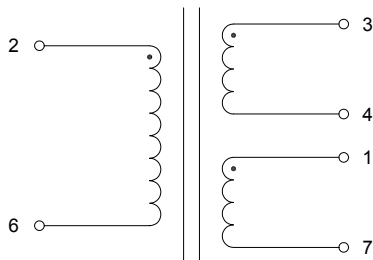
### 1. CONFIGURATION & DIMENSIONS :



Unit:m/m

A	B	C	D	E	F	H
16.76 Max.	16.76 Max.	8.89 Max.	13.70±0.50	3.80±0.30	4.00±0.50	Ø0.60 Ref.

### 2. SCHEMATIC :



### 3. SCHEMATIC :

- a) Bobbin : Phenolic
- b) Core : EFD15
- c) Wire : Polyurethane (UEW)
- d) Tape : Polyester Tape
- e) Varnish : Synthite AC-43



**RoHS Compliant**

NOTE : Specifications subject to change without notice. Please check our website for latest information.

23.06.2008



**SUPERWORLD ELECTRONICS (S) PTE LTD**

#### 4. GENERAL SPECIFICATION :

- a) Operating Temperature Range : -25°C to +105°C
- b) Insulation Class : B (130°C)

#### 5. ELECTRICAL CHARACTERISTICS :

Part No.	Inductance ( L )	Conditions	Test Frequency	DCR @ 25°C
EFDB5HTF-50733	L : (2-6) = 18uH Min.	-	10KHz 0.1V	(2-6) = 0.77Ω±10%
				(3-4) = 3.08Ω±10%
				(1-7) = 1.55Ω±10%



**RoHS Compliant**

NOTE : Specifications subject to change without notice. Please check our website for latest information.

23.06.2008

