

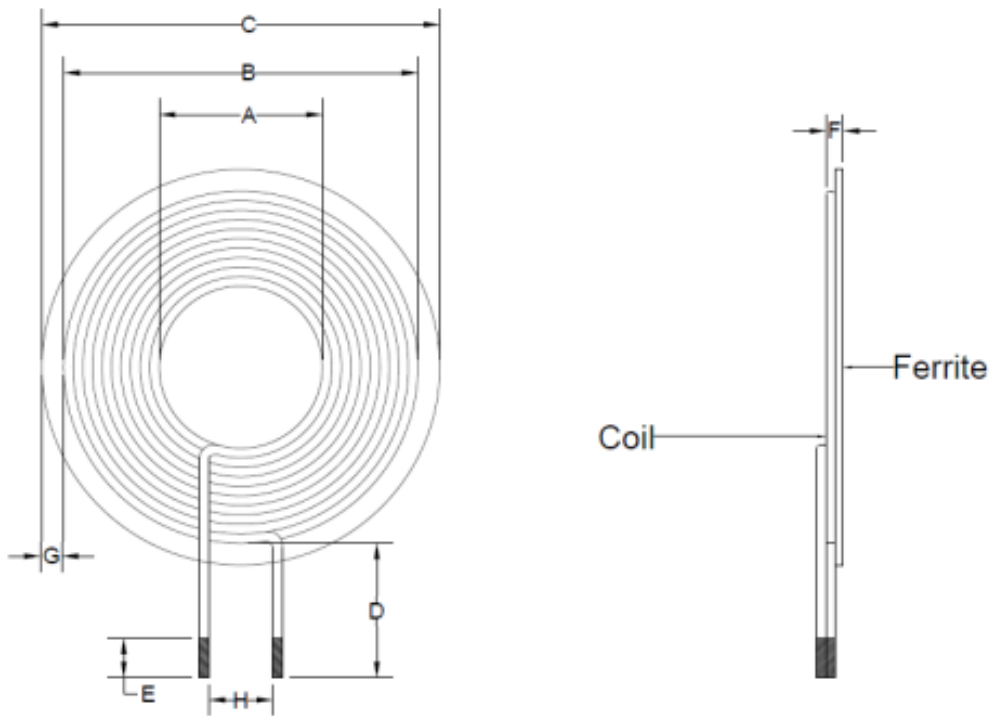
1. Part No. Expression:

SCT50036R3KMP11

(a) b) (c) (d) (e)

- a) Series Code d) Tolerance Code
- b) Dimension Code e) Qi Design Type Code
- c) Inductance Code

2. Configuration & Dimensions: (Unit:- mm)



A	B	C	D	E	F	G	H
20.5±0.5	44.0±1.5	50.0±0.5	17.0±2.0	5.0±2.0	3.0 Max	2.0 Min	10.0 Typ

NOTE: Specifications subject to change without notice. Please check our website for latest information.



3. Schematic:



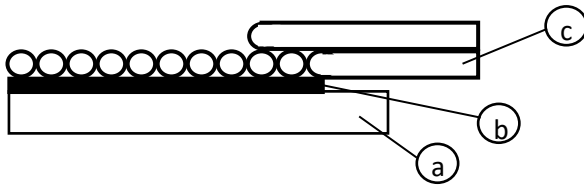
4. Electrical Characteristics:

Inductance (uH)	Test Frequency (Hz)	DCR (mΩ)	Irms (mA)
6.3±10%	1V/100K	45 Max.	5000 Max.

5. General Specifications:

- a) Operating Temp: -40°C ~ +85°C
- b) Storage Temp: -40°C ~ +85°C (packaging)
- c) Irms: Based on temp. rise up to 40°C Max.
- d) Power Rating: 15W
- e) Compatible to Qi standard MP-A11 design.

6. Material List:



- (a) Ferrite Sheet (MnZn)
- (b) Adhesive
- (c) Wire

NOTE: Specifications subject to change without notice. Please check our website for latest information.

