

1. Part No. Expression:

S C T 5 5 0 4 8 R 9 K M P A 4

(a) (b) (c) (d) s(e)

a) Series Code

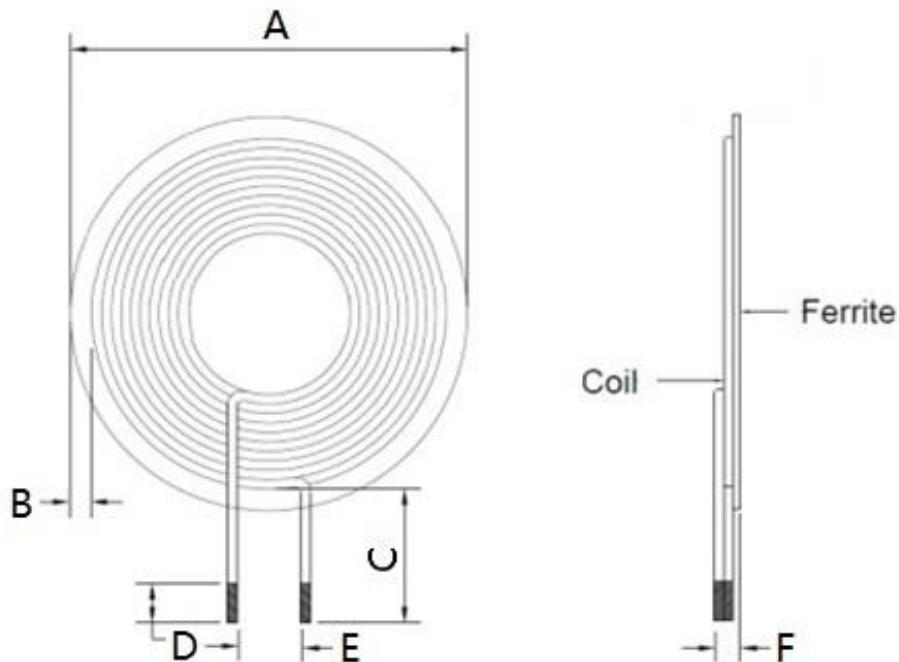
b) Dimension Code

c) Inductance Code

d) Tolerance Code

e) Qi Design Type Code

2. Configuration & Dimensions: (Unit: mm)



A	B	C	D	E	F
55.0±1.0	2.0 Min.	17.0±1.0	5.0±1.0	10.0 Typ.	4.0 Max.

3. Schematic:



NOTE: Specifications subject to change without notice. Please check our website for latest information.

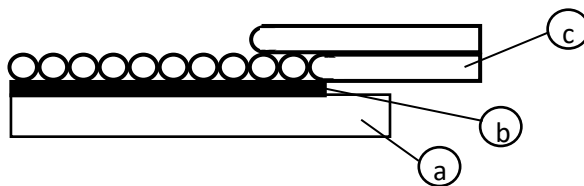
4. Electrical Characteristics:

Inductance (uH)	Test Frequency (Hz)	DCR (mΩ)	Irms (mA)
8.9±10%	1V/100K	55 Max.	6000 Max.

5. General Specification:

- a) Operating Temp: -40°C ~ +85°C
- b) Storage Temp: -40°C ~ +85°C (packaging)
- c) Irms: Based on temp. rise up to 40°C Max.
- d) Power Rating: 15W
- e) Compatible to Qi standard MP-A4 design

6. Material List:



- a) Ferrite Sheet (MnZn)
- b) Adhesive
- c) Wire

NOTE: Specifications subject to change without notice. Please check our website for latest information.