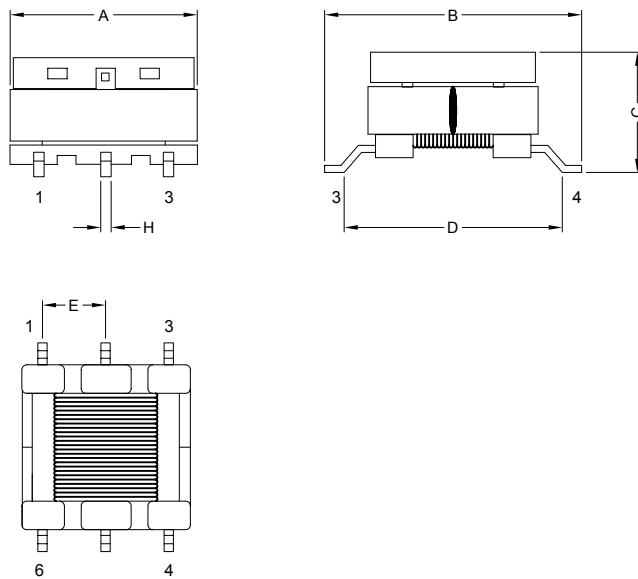


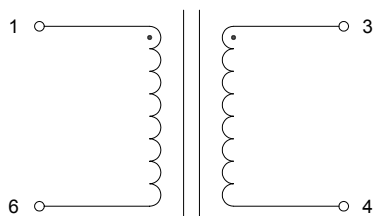
### 1. CONFIGURATION & DIMENSIONS :



Unit:m/m

| A         | B         | C         | D         | E         | H              |
|-----------|-----------|-----------|-----------|-----------|----------------|
| 6.50 Max. | 7.80±0.20 | 5.80 Max. | 5.80±0.20 | 1.85±0.10 | 0.40x0.30 Ref. |

### 2. SCHEMATIC :



### 3. SCHEMATIC :

- a) Bobbin : Phenolic
- b) Core : EE5
- c) Wire : Polyurethane DD (1UEW+NY)
- d) Cover : LCP
- e) Tape : Polyester Film
- f) Adhesive : Epoxy



**RoHS Compliant**

NOTE : Specifications subject to change without notice. Please check our website for latest information.

19.06.2008



**SUPERWORLD ELECTRONICS (S) PTE LTD**

#### 4. GENERAL SPECIFICATION :

- a) Operating Temperature Range : -25°C to +105°C
- b) Insulation Class : B (130°C)

#### 5. ELECTRICAL CHARACTERISTICS :

| Part No.       | Inductance<br>( L )   | Conditions | Test<br>Frequency | DCR<br>@ 25°C     |
|----------------|-----------------------|------------|-------------------|-------------------|
| SEEA5HSF-50542 | L : (1-6) = 624uH±25% | -          | 300KHz 0.1V       | (1-6) = 1.9Ω Max. |
|                | L : (3-4) = 624uH±25% | -          | 300KHz 0.1V       | (3-4) = 1.9Ω Max. |



**RoHS Compliant**

NOTE : Specifications subject to change without notice. Please check our website for latest information.

19.06.2008



**SUPERWORLD ELECTRONICS (S) PTE LTD**