

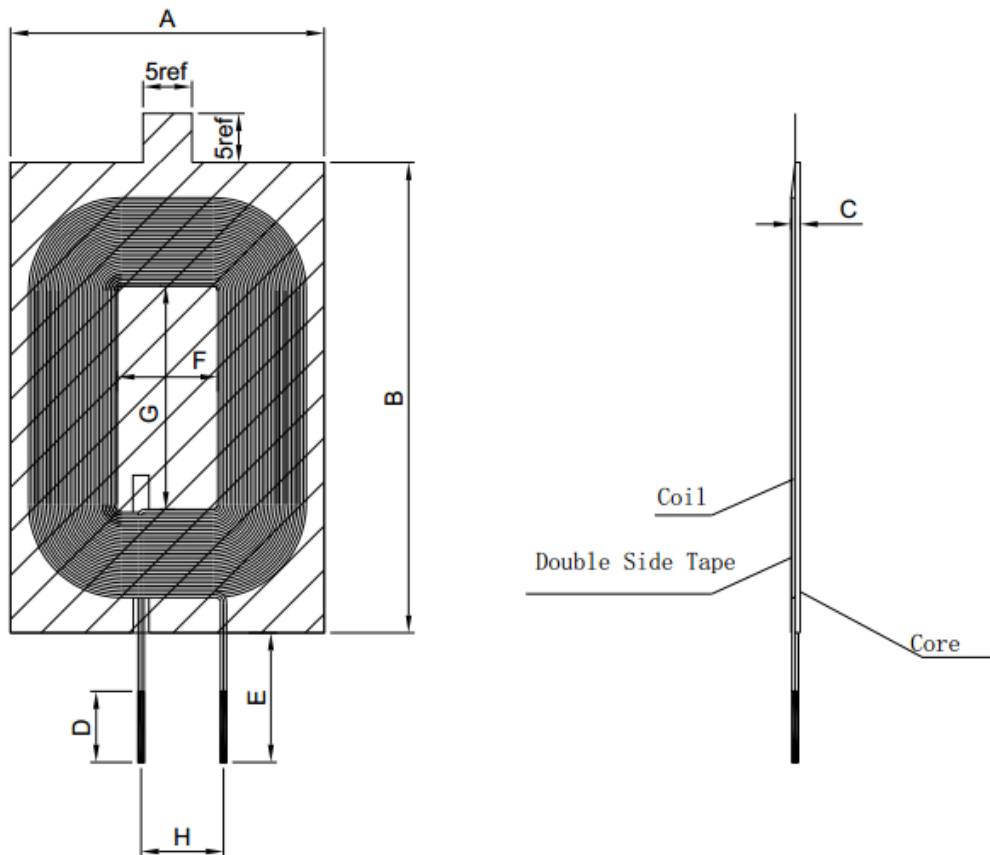
1. Part No. Expression:

S R X 2 9 3 9 0 1 8 R 6 J B

(a) (b) (c) (d)(e)

- a) Series Code
- b) Dimension Code
- c) Inductance Code
- d) Tolerance Code
- e) Internal Code

2. Configuration & Dimensions: (Unit:- mm)



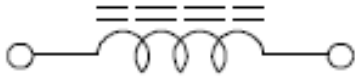
A	B	C	D	E	F	G	H
29.5±0.5	39.5±0.5	1.1 Max	3.0±0.8	50.0±3	21.0 Ref	12.0 Ref	8.0 Ref

- Note:
1. Double side tape on top of the coil.
 2. Dimension C not include the release
 3. Black PET film pasted on both sides of the core. Each side is allowed to offset 0.3mm Max.

NOTE: Specifications subject to change without notice. Please check our website for latest information.



3. Schematic:



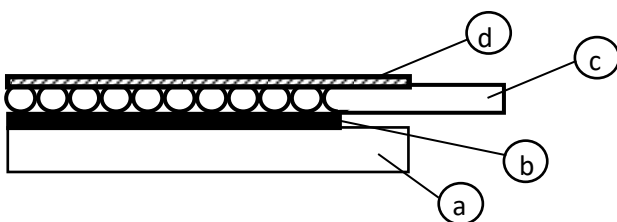
4. Electrical Characteristics:

Inductance (uH)	Test Frequency (Hz)	DC Resistance (mΩ)	Irms (mA)
8.6±5%	1V/100K	165 Max	2400 Max

5. General Specifications:

- a) Operating Temp.: -40°C ~ +85°C
- b) Storage Temp.: -40°C ~ +85°C (packaging)
- c) Irms: Based on temp. rise up to 40°C Max.
- d) Power Rating: 5W ~ 15W

6. Material List:



- (a) Mn-Zn Flexi Ferrite Sheet (Thickness: 0.5mm Typ)
- (b) Adhesive
- (c) Wire (Φ0.30mm*2P)
- (d) Double Sided Tape

NOTE: Specifications subject to change without notice. Please check our website for latest information.