

1. Part No. Expression:

SSB1003101MZ F

(a) (b) (c) (d) (e)(f)

(a) Series Code

(b) Dimension Code

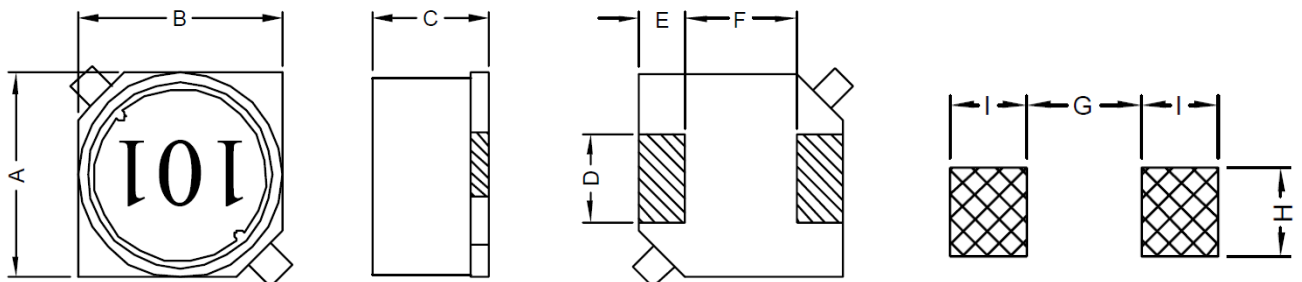
(c) Inductance Code

(d) Tolerance Code

(e) Standard Code

(f) RoHS Compliant

2. Configuration & Dimensions :



Recommended PCB Pattern

Unit: mm

A	B	C	D	E	F	G	H	I
10.0±0.3	10.0±0.3	3.0±0.3	2.4±0.2	2.0±0.2	6.0±0.2	5.70 Ref.	2.80 Ref.	2.50 Ref.

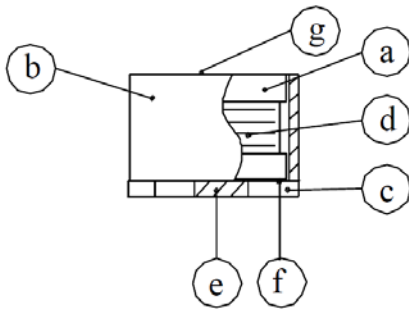
3. Schematic



NOTE: Specifications subject to change without notice. Please check our website for latest information.



4. Material List



- a) DR Core
- b) RI Core
- c) Base
- d) Wire
- e) Terminal
- f) Adhesive
- g) Ink

5. General Specification

- a) Temp. rise: 40°C Max.
- b) Rated Current: Base on temp. rise & $\Delta L/L_0 = 30\%$ Max.
- c) Operating Temperature: -40°C to 125°C
- d) Storage Temperature: -40°C to 125°C

NOTE: Specifications subject to change without notice. Please check our website for latest information.



6. Electrical Characteristics

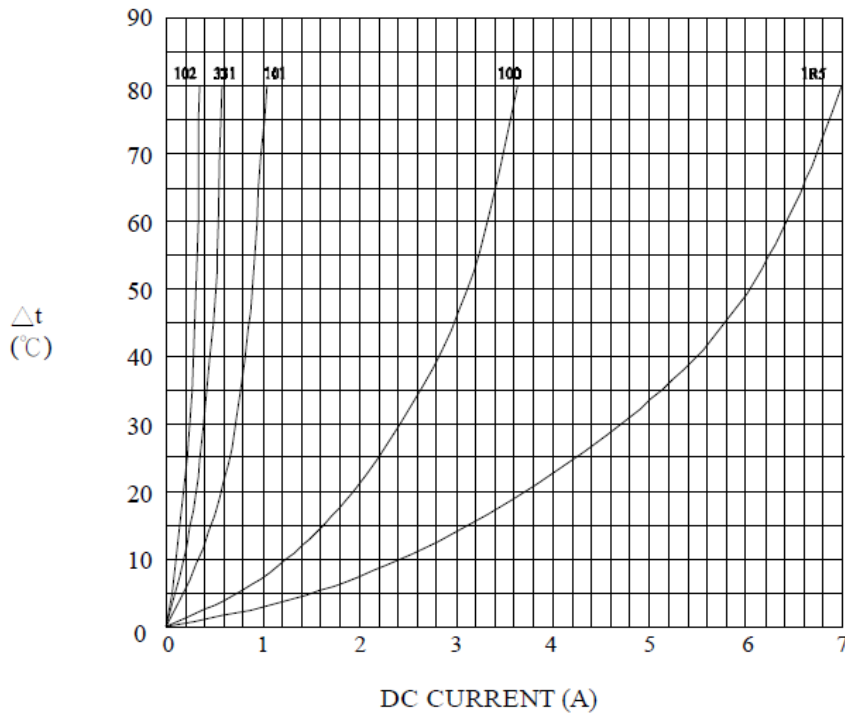
Part Number	Inductance (uH) ± 20%	Test Frequency (Hz)	RDC (mΩ) Max.	IDC (A) Max.
SSB10031R5MZF	1.5	1V/100K	22	4.00
SSB10032R2MZF	2.2	1V/100K	25	3.50
SSB10033R0MZF	3.0	1V/100K	40	3.00
SSB10035R2MZF	5.2	1V/100K	45	2.50
SSB10036R8MZF	6.8	1V/100K	60	2.20
SSB1003100MZF	10.0	1V/100K	70	2.00
SSB1003120MZF	12.0	1V/100K	95	1.90
SSB1003150MZF	15.0	1V/100K	120	1.70
SSB1003180MZF	18.0	1V/100K	130	1.55
SSB1003220MZF	22.0	1V/100K	180	1.45
SSB1003270MZF	27.0	1V/100K	200	1.30
SSB1003330MZF	33.0	1V/100K	210	1.10
SSB1003390MZF	39.0	1V/100K	270	1.00
SSB1003470MZF	47.0	1V/100K	300	0.85
SSB1003560MZF	56.0	1V/100K	400	0.80
SSB1003680MZF	68.0	1V/100K	440	0.75
SSB1003820MZF	82.0	1V/100K	490	0.65
SSB1003101MZF	100	1V/100K	670	0.60
SSB1003121MZF	120	1V/100K	740	0.55
SSB1003151MZF	150	1V/100K	790	0.50
SSB1003181MZF	180	1V/100K	1200	0.45
SSB1003221MZF	220	1V/100K	1350	0.40
SSB1003271MZF	270	1V/100K	1800	0.38
SSB1003331MZF	330	1V/100K	2000	0.32
SSB1003391MZF	390	1V/100K	2100	0.30
SSB1003471MZF	470	1V/100K	3500	0.28
SSB1003561MZF	560	1V/100K	3900	0.25
SSB1003681MZF	680	1V/100K	4100	0.22
SSB1003821MZF	820	1V/100K	4550	0.20
SSB1003102MZF	1000	1V/100K	5100	0.18

NOTE: Specifications subject to change without notice. Please check our website for latest information.

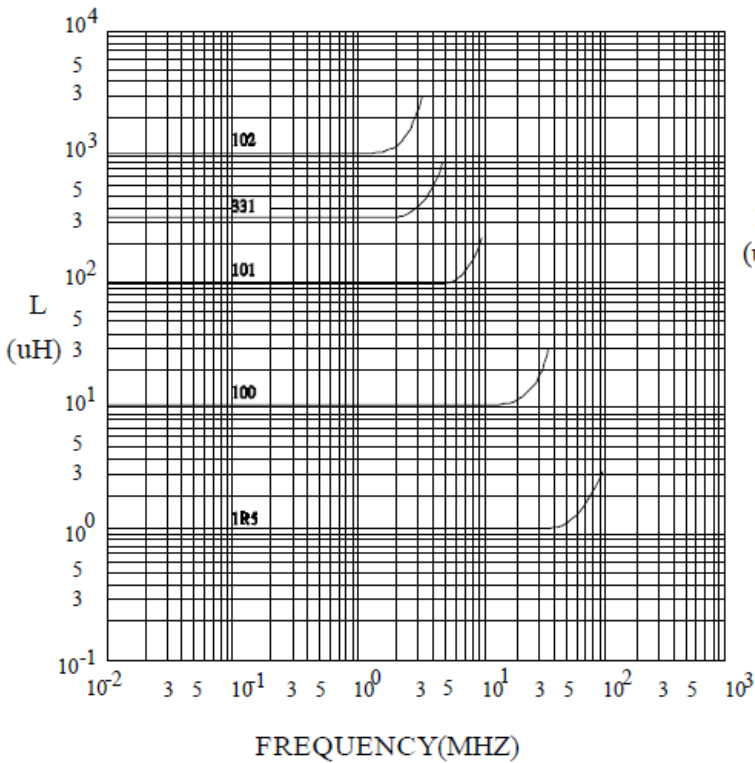


7. Characteristic Curves

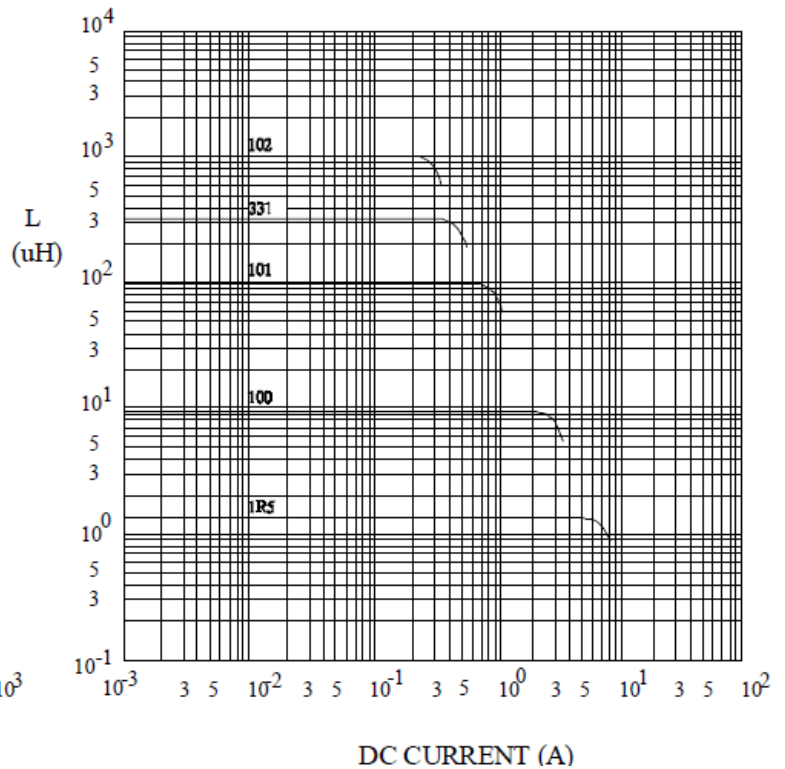
@ TEMP. RISE VS. DC SUPERPOSITION RESPONSE CURVE



@ INDUCTANCE VS. FREQUENCY RESPONSE CURVE



@ INDUCTANCE VS. DC SUPERPOSITION RESPONSE CURVE

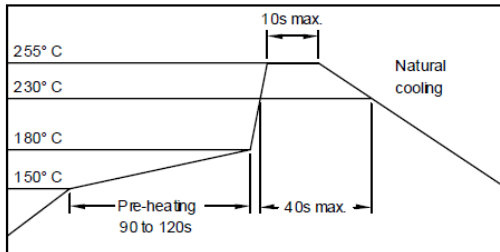


NOTE: Specifications subject to change without notice. Please check our website for latest information.



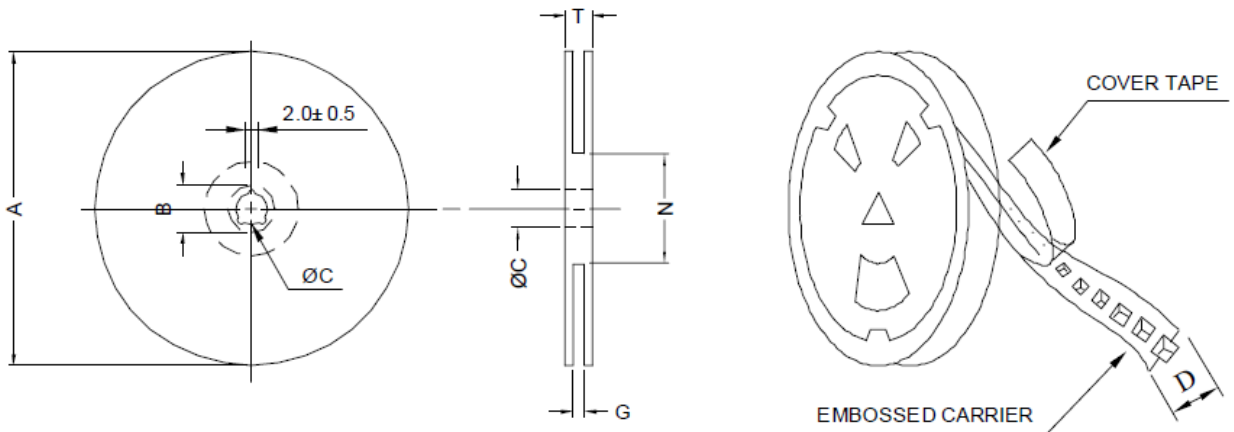
8. Soldering

RECOMMENDED SOLDERING CONDITIONS
REFLOW SOLDERINGS

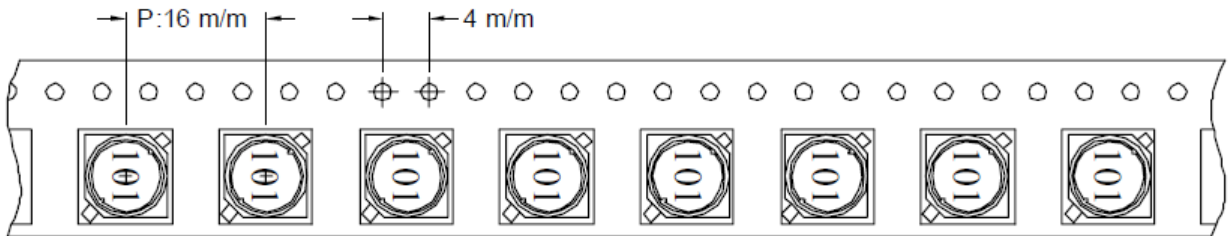


9. Packaging Information

9-1 Tape & Reel Dimension



* CARRIER TAPE WIDTH : D



Style	A (mm)	B (mm)	C (mm)	D (mm)	G (mm)	N (mm)	T (mm)
13-24	330	21±0.8	13±0.5	24	26 Max.	50 Min.	30.4

NOTE: Specifications subject to change without notice. Please check our website for latest information.

9-2. Quantity & G.W. Per Package

Series	Inner: Reel		Outer: Carton		
	Qty (pcs)	G.W (gw)	Qty (pcs)	G.W (kg)	Size (cm)
SSB1003	1000	1000	4000	7.5	38x36.5x21

NOTE: Specifications subject to change without notice. Please check our website for latest information.

