

1. Part No. Expression:

W I 3 2 2 5 2 2 - 2 R 2 K E

(a) (b) (c) (d)(e)

a) Series Code

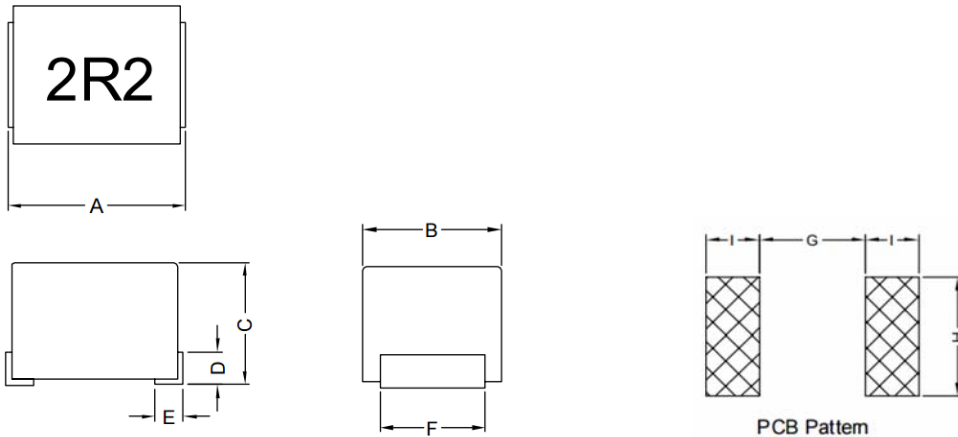
b) Dimension Code

c) Inductance Code

d) Tolerance Code

e) F: RoHS Compliant

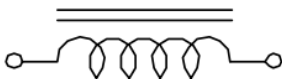
2. Configuration & Dimensions :



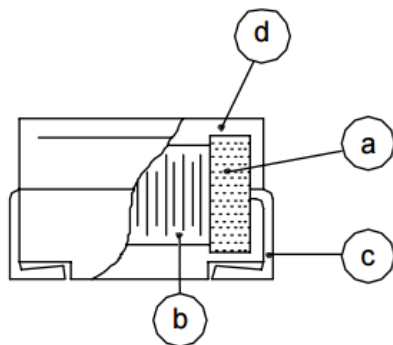
Unit: mm

A	B	C	D	E	F	G	H	I
3.2±0.3	2.5±0.2	2.2±0.2	0.6 Ref.	0.2 Min.	1.9±0.1	2.0 Ref.	2.0 Ref.	1.2 Ref.

3. Schematic



4. Material List



(a) Core

(b) Wire

(c) Terminal

(d) Capsulate

NOTE: Specifications subject to change without notice. Please check our website for latest information.

5. General Specification:

- a) Operating Temp. : -40°C ~ +125°C
- b) Storage Temp. : -40°C ~ +125°C
- c) Rated Current will cause the inductance drop within 10%

6. Electrical Characteristics

Part No	Inductance (uH)	Tolerance	Q Min.	Test Frequency (MHz)	SRF (MHz) Min.	DCR (Ω) Max.	IDC (mA) Max.
WI322522-010□F	0.010	M	15	100	2500	0.13	450
WI322522-012□F	0.012	M	17	100	2300	0.14	450
WI322522-015□F	0.015	M	19	100	2100	0.16	450
WI322522-018□F	0.018	M	21	100	1900	0.18	450
WI322522-022□F	0.022	M	23	100	1700	0.20	450
WI322522-027□F	0.027	M	23	100	1500	0.22	450
WI322522-033□F	0.033	M	25	100	1400	0.24	450
WI322522-039□F	0.039	M	25	100	1300	0.27	450
WI322522-047□F	0.047	M	26	100	1200	0.30	450
WI322522-056□F	0.056	M	26	100	1100	0.33	450
WI322522-068□F	0.068	M	27	100	1000	0.36	450
WI322522-082□F	0.082	M	27	100	900	0.40	450
WI322522-R10□F	0.10	K	28	100	700	0.44	450
WI322522-R12□F	0.12	K,M	30	25.2	500	0.22	450
WI322522-R15□F	0.15	K,M	30	25.2	450	0.25	450
WI322522-R18□F	0.18	K,M	30	25.2	400	0.28	450
WI322522-R22□F	0.22	J,M	30	25.2	350	0.32	450
WI322522-R27□F	0.27	K,M	30	25.2	320	0.36	450
WI322522-R33□F	0.33	K,M	30	25.2	300	0.40	450
WI322522-R39□F	0.39	K,M	30	25.2	250	0.45	450
WI322522-R47□F	0.47	K,M	30	25.2	220	0.50	450
WI322522-R56□F	0.56	K,M	30	25.2	180	0.55	450
WI322522-R68□F	0.68	K,M	30	25.2	160	0.60	450
WI322522-R82□F	0.82	K,M	30	25.2	140	0.65	450
WI322522-1R0□F	1.00	J,K	30	7.96	120	0.70	400

NOTE: Specifications subject to change without notice. Please check our website for latest information.



Part No	Inductance (uH)	Tolerance	Q Min.	Test Frequency (MHz)	SRF (MHz) Min.	DCR (Ω) Max.	IDC (mA) Max.
WI322522-1R2□F	1.20	J,K	30	7.96	100	0.75	390
WI322522-1R5□F	1.50	J,K	30	7.96	85	0.85	370
WI322522-1R8□F	1.80	J,K	30	7.96	80	0.90	350
WI322522-2R2□F	2.20	J,K	30	7.96	75	1.0	320
WI322522-2R7□F	2.70	J,K	30	7.96	70	1.1	290
WI322522-3R3□F	3.30	J,K	30	7.96	60	1.2	260
WI322522-3R9□F	3.90	J,K	30	7.96	55	1.3	250
WI322522-4R7□F	4.70	J,K	30	7.96	50	1.5	220
WI322522-5R6□F	5.60	J,K	30	7.96	45	1.6	200
WI322522-6R8□F	6.80	J,K	30	7.96	40	1.8	180
WI322522-8R2□F	8.20	J,K	30	7.96	35	2.0	170
WI322522-100□F	10.0	J,K	30	2.52	30	2.1	150
WI322522-120□F	12.0	J,K	30	2.52	20	2.5	140
WI322522-150□F	15.0	J,K	30	2.52	20	2.8	130
WI322522-180□F	18.0	J,K	30	2.52	20	3.3	120
WI322522-220□F	22.0	J,K	30	2.52	20	3.7	110
WI322522-270□F	27.0	J,K	30	2.52	18	5.0	80
WI322522-330□F	33.0	J,K	30	2.52	17	5.6	70
WI322522-390□F	39.0	J,K	30	2.52	16	6.4	65
WI322522-470□F	47.0	J,K	30	2.52	15	7.0	60
WI322522-560□F	56.0	J,K	30	2.52	13	8.0	55
WI322522-680□F	68.0	J,K	30	2.52	12	9.0	50
WI322522-820□F	82.0	J,K	30	2.52	11	10.0	45
WI322522-101□F	100	J,K	20	0.796	10	10.0	40
WI322522-121□F	120	J,K	20	0.796	9	11.0	70
WI322522-151□F	150	J,K	20	0.796	7	15.0	65
WI322522-181□F	180	J,K	20	0.796	7	17.0	60
WI322522-221□F	220	J,K	20	0.796	6	21.0	50
WI322522-271□F	270	J,K	20	0.796	5	28.0	45
WI322522-331□F	330	J,K	20	0.796	5	34.0	40

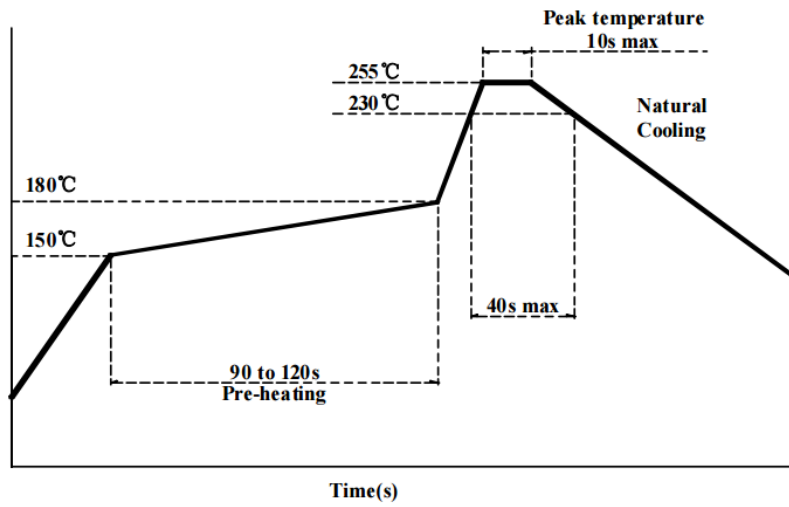
Tolerance: J = \pm 5%K = \pm 10%M = \pm 20%

NOTE: Specifications subject to change without notice. Please check our website for latest information.

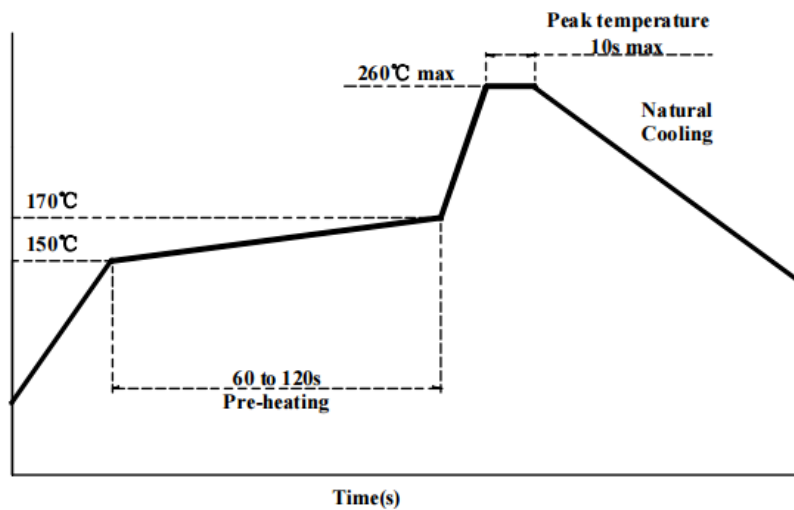


7. Soldering

7-1 Reflow Soldering



7-2 Flow Soldering



7-3 Iron Soldering

Base on the following conditions, use a maximum product temperature of 260°C and a maximum accumulated heating time of 10seconds as a guideline.

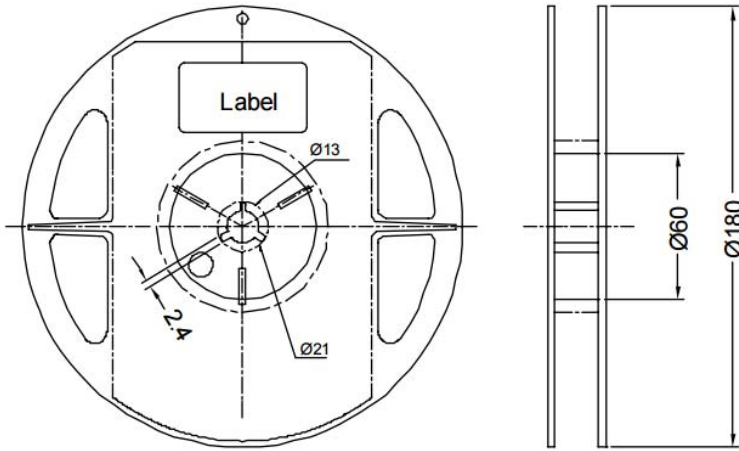
Tip Temperature	300°C ~ 350°C
Heating Time	3 Sec / soldering
Soldering Rod Specification	Output: 30W Tip, Diameter: 1mm

NOTE: Specifications subject to change without notice. Please check our website for latest information.

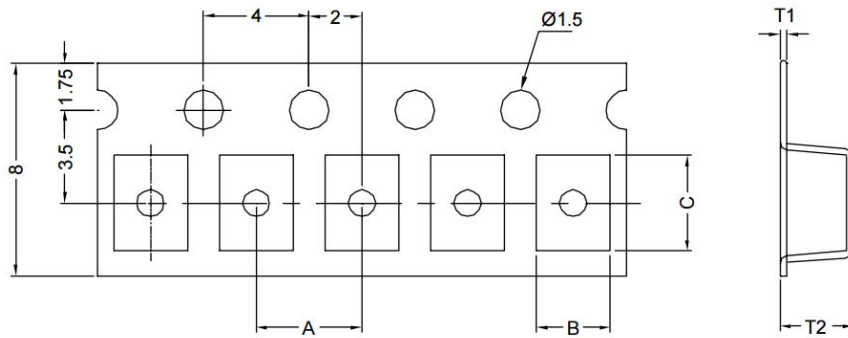


8. Packaging Information

8-1 Reel Dimension



8-2 Tape Dimension



A(mm)	B(mm)	C(mm)	T1(mm)	T2(mm)
4.0	2.8	3.5	0.3	2.45

8-3 Packaging Quantity

Series	WI322522
Reel (ø180*11mm)	2,000pcs
Box (185*90*190mm)	10,000pcs
Carton (480*195*200mm)	50,000pcs

NOTE: Specifications subject to change without notice. Please check our website for latest information.