

1. Part No. Expression:

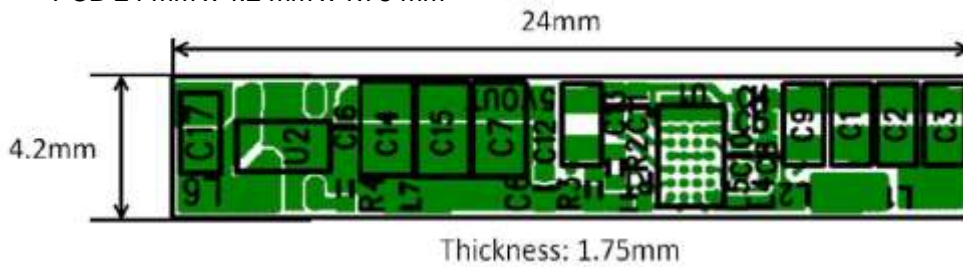
**W M R S 2 4 0 4 0 1 0 3 A**

(a) (b)(c) (d) (e) (f)

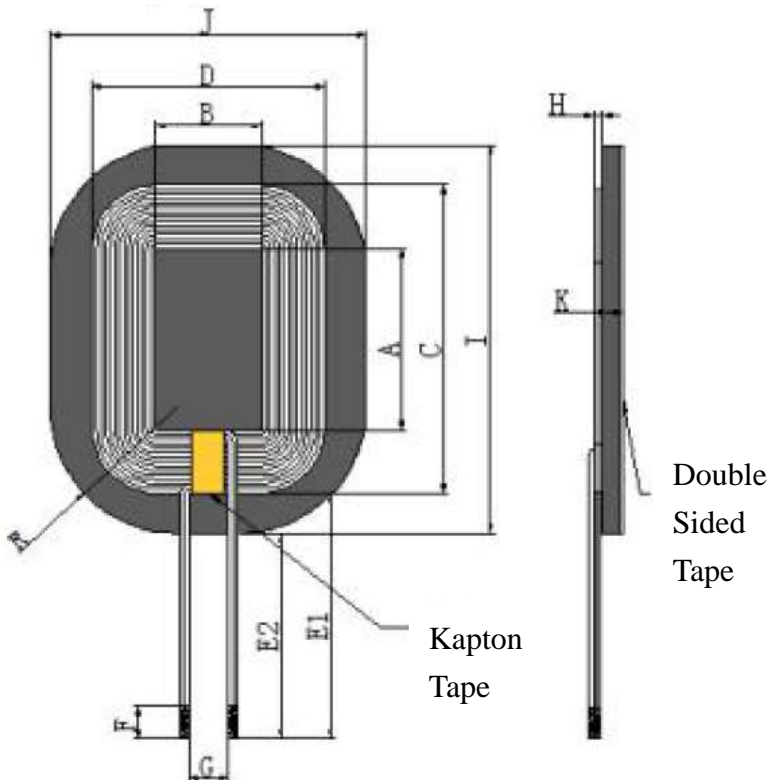
- a) Series Code
- b) Model Code
- c) Shape Code
- d) Dimension Code
- e) Electrical Code
- f) Internal Code

2. Configuration & Dimensions: (Unit:- mm)

- PCB 24 mm x 4.2 mm x 1.75 mm



- Coil 48 mm x 32 mm x 1 mm



NOTE: Specifications subject to change without notice. Please check our website for latest information.

A	B	C	D	E1	E2	F	G
22.0±0.5	10.0±0.5	39.3±1.0	26.6 ±1.0	33.5±2.0	30.0±2.0	2±1.0	5.0 Ref
H	I	J	K	R			
0.38 Max	46.0 ±1.0	32.0 ±1.0	1.0 Max	13.0±0.2			

### 3. General Specifications:

- Operating Temp. : -10°C to +85°C
- Storage Temp. : -20°C to +70°C
- Output port has short circuit and reverse polarity protection.
- The surface distance between Tx Coil & Rx Coil is 2-5mm.

### 4. Electrical Specifications:

#### 4.1 Module Specification

- Receiver unit

Description	Remarks	Min.	Typ.	Max.	Unit
Output Voltage	Load current at 0A	4.99	5.0	5.0	V
	Load current at 0.5A (CC Mode)	4.92	4.93	4.95	
Output Current	Constant Voltage = 4.75V R1 = 580Ω	0.50	0.525	0.542	A
Output power	Rxout Min to Max			2.5	W
Operating Frequency	110kHz – 210kHz	110	158	205	kHz
System Efficiency	Vin=19V Rxout Min to Max	65	73	75	%

\*SWS – Superworld Electronics (S) Pte Ltd

#### 4.2 Coil Specification

	Inductance	DCR
Test Frequency	100KHz/ 1.0V	100KHz/ 1.0V
Specifications	11.0±10.0%	260.0 mΩ Max

NOTE: Specifications subject to change without notice. Please check our website for latest information.

