

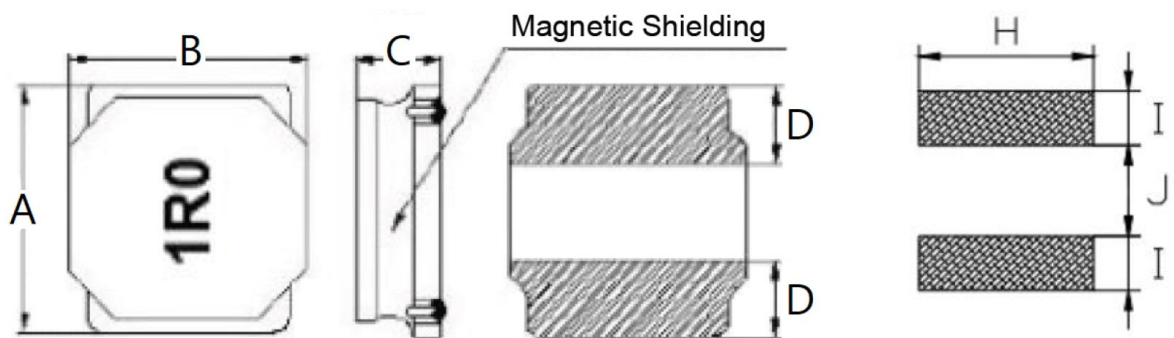
1. Part No. Expression

PNS40181R0YW F

(a) (b) (c) (d) (e) (f)

- | | |
|---------------------|--------------------|
| (a) Series Code | (d) Tolerance Code |
| (b) Dimension Code | (e) Special Code |
| (c) Inductance Code | (f) Packaging Code |

2. Configuration & Dimensions (Unit: mm)



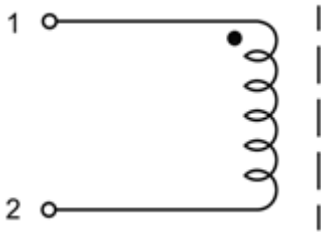
Recommended PCB Layout

- Note:
1. The above PCB layout reference only.
 2. Recommend solder paste thickness at 0.12 mm and above.
 3. Marking: Inductance Code

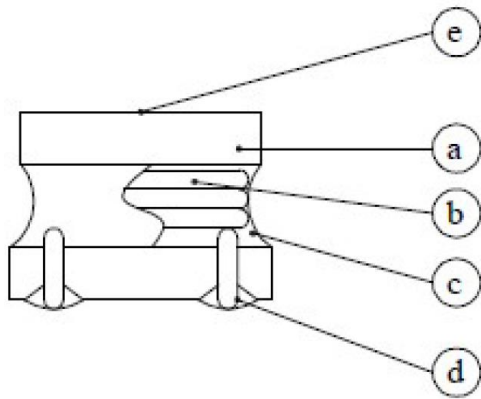
A	B	C	D	H	I	J
4.0±0.2	4.0±0.2	1.8+0.2/-0.3	1.3 Ref	3.7 Ref	1.2 Ref	1.6 Ref

NOTE: Specifications subject to change without notice. Please check our website for latest information.

3. Schematic

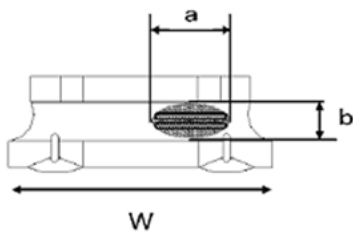


4. Material List



- (a) Core
- (b) Wire
- (c) Adhesive
- (d) Terminal
- (e) Ink

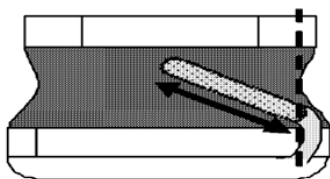
Void appearance tolerance limit & size of voids occurring to coating resin is specified below.



Exposed wire tolerance limit of coating resin part on product side.

Size of exposed wire occurring to coating resin is specified below:

1. Width direction (dimension a) : Acceptable when $a \leq w/2$;
Nonconforming when $a > w/2$
2. Length direction (dimension b): Dimension b is not specified
3. The total area of exposed wire occurring to each side is not greater than 50% of coating resin area and is acceptable



External appearance criterion for exposed wire.

Exposed end of the winding wire at the secondary side should be 2mm and below.

NOTE: Specifications subject to change without notice. Please check our website for latest information.

5. General Specifications

- (a) Operating Temp.: -40°C to +125°C (including self-temperature rise)
- (b) Storage Temp.: -40°C to +125°C (on board)
- (c) All test data referenced to 25°C ambient.
- (d) Heat Rated Current (Irms) will cause the coil temperature rise approximately ΔT of 40°C.
- (e) Saturation Current (Isat) will cause inductance L0 to drop approximately 30%.
- (f) Rated Current: The lower value of Isat and Irms.
- (g) Storage Condition (Component in its packaging)
 - i) Temperature: Less than 40°C
 - ii) Humidity: Less than 60% RH

6. Electrical Characteristics

Part Number	Inductance (μ H) @0A	Test Frequency	DCR (m Ω) Max	Isat (A)		Irms (A)		Marking
				Typ	Max	Typ	Max	
PNS40181R0YWF	1.0	1V/100KHz	38.4	4.10	3.69	2.80	2.52	1R0
PNS40181R5YWF	1.5	1V/100KHz	48	3.30	2.97	2.60	2.34	1R5
PNS40182R2MWF	2.2	1V/100KHz	72	2.80	2.52	2.50	2.25	2R2
PNS40183R3MWF	3.3	1V/100KHz	84	2.20	1.98	2.10	1.89	3R3
PNS40184R7MWF	4.7	1V/100KHz	108	2.00	1.80	1.70	1.53	4R7
PNS40186R8MWF	6.8	1V/100KHz	143	1.60	1.44	1.50	1.35	6R8
PNS4018100MWF	10	1V/100KHz	228	1.40	1.26	1.20	1.08	100
PNS4018150MWF	15	1V/100KHz	300	1.00	0.90	1.00	0.90	150
PNS4018220MWF	22	1V/100KHz	468	0.9	0.81	0.85	0.76	220
PNS4018330MWF	33	1V/100KHz	636	0.8	0.72	0.70	0.63	330
PNS4018470MWF	47	1V/100KHz	864	0.70	0.63	0.56	0.50	470
PNS4018680MWF	68	1V/100KHz	1200	0.56	0.50	0.45	0.40	680
PNS4018101MWF	100	1V/100KHz	1800	0.46	0.41	0.34	0.31	101
PNS4018151MWF	150	1V/100KHz	3000	0.35	0.31	0.25	0.22	151
PNS4018221MWF	220	1V/100KHz	4800	0.28	0.25	0.20	0.17	221

Tolerance Code: M= \pm 20%, Y= \pm 30%

NOTE: Specifications subject to change without notice. Please check our website for latest information.

7. Soldering Specification

Mildly activated rosin fluxes are preferred. Our terminations are suitable for re-flow soldering systems. If hand soldering cannot be avoided, the preferred technique is the utilization of hot air soldering tools.

7-1. IR Soldering Reflow

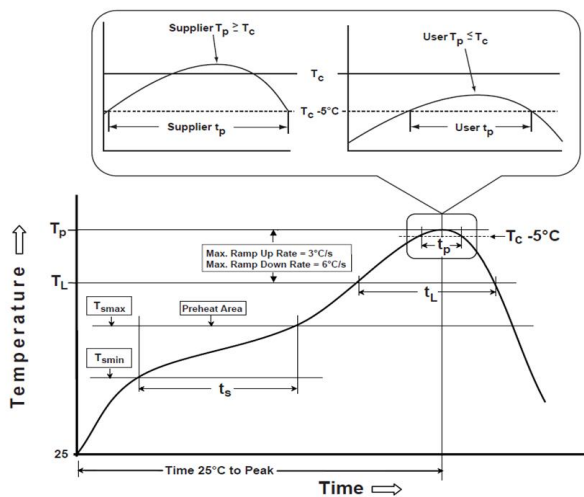
Recommended temperature profiles for lead free re-flow soldering in Figure 1, Table 1.1 & 1.2 (J-STD-020F).

7-2. Iron Reflow

Products attachment with a soldering iron is discouraged due to the inherent process control limitations. In the event that a soldering iron must be employed the following precautions are recommended (Figure 2).

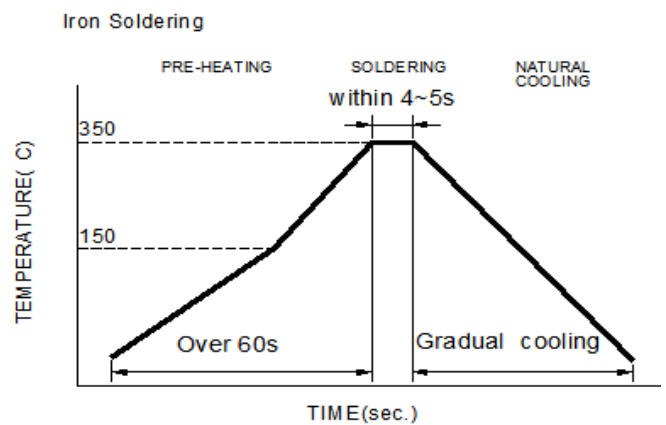
Note:

- (a) Preheat circuit and products to 150°C.
- (b) 350°C tip temperature (Max.)
- (c) Never contact the ceramic with the iron tip
- (d) 1.0mm tip diameter (Max.)
- (e) Use a 20 watt soldering iron with tip diameter of 1.0mm
- (f) Limit soldering time to 4~5 sec.



Reflow times: 3 times Max

Figure 1: IR Soldering Reflow



Iron Soldering times : 1 times max

Figure 2: Iron soldering temperature profiles

NOTE: Specifications subject to change without notice. Please check our website for latest information.

Table (1.1) Reflow Profiles

Profile Type:	Pb-Free Assembly
Preheat	
-Temperature Min (T_{smin})	150°C
-Temperature Max (T_{smax})	200°C
-Time (t_s) from (T_{smin} to T_{smax})	60-120seconds
Ramp-up rate (T_L to T_p)	3°C /second max.
Liquids temperature (T_L)	217°C
Time (t_L) maintained above T_L	60-150 seconds
Classification temperature (T_c)	See Table (1.2)
Time (t_p) at $T_c - 5^\circ\text{C}$ (T_p should be equal to or less than T_c .)	< 30 seconds
Ramp-down rate (T_p to T_L)	6°C /second max.
Time 25°C to peak temperature	8 minutes max.

T_p: maximum peak package body temperature, **T_c**: the classification temperature.

For user (customer) **T_p** should be equal to or less than **T_c**.

Table (1.2) Package Thickness/Volume and Classification Temperature (T_c)

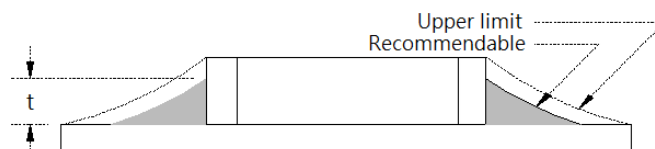
	Package Thickness	Volume mm ³ <350	Volume mm ³ 350-2000	Volume mm ³ >2000
PB-Free Assembly	<1.6mm	260°C	260°C	260°C
	1.6-2.5mm	260°C	250°C	245°C
	≥2.5mm	250°C	245°C	245°C

Reflow is referred to standard IPC/JEDEC J-STD-020F.

7-3. Soldering Volume

Accordingly increasing the solder volume, the mechanical stress to product is also increased. Exceeding solder volume may cause the failure of mechanical or electrical performance. Solder shall be used not to be exceeded as shown in the Figure below.

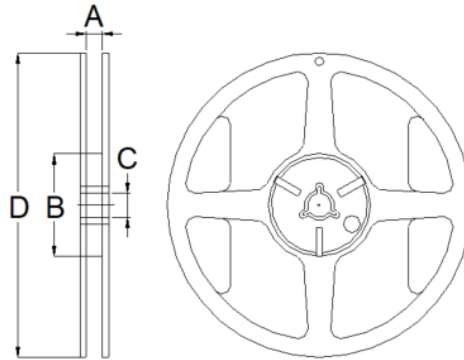
Minimum fillet height = soldering thickness + 25% product height.



NOTE: Specifications subject to change without notice. Please check our website for latest information.

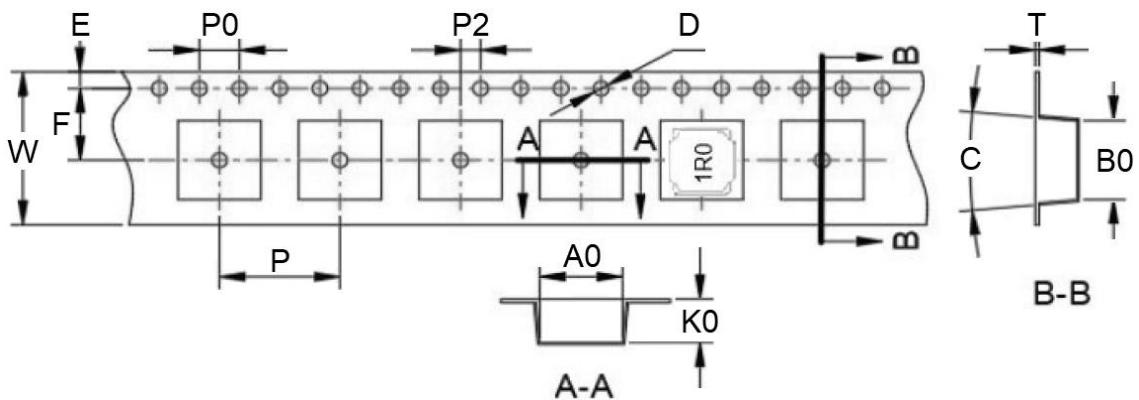
8. Packaging Information

8-1. Reel Dimension (Unit: mm)



Type	A	B	C	D
7"x12mm	13.2 Ref	60.0 Ref	13.0 Ref	180.0 Ref

8-2. Tape Dimension (Unit: mm)



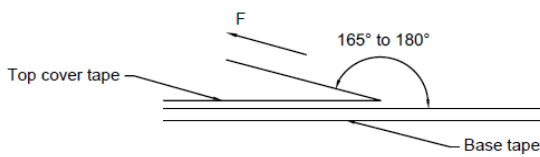
W	A0	B0	K0	P	F
12.00	4.20	4.20	2.10	8.00	5.50
E	D0	P0	P2	T	C
1.75	1.50	4.00	2.00	0.30	10°

NOTE: Specifications subject to change without notice. Please check our website for latest information.

8-3. Packaging Quantity (Unit: Pcs)

Chip/ Reel	3,000
Inner Box	12,000
Carton	24,000

8-4. Tearing Off Force



The force for tearing off cover tape is according to the follow table, in the arrow direction under the following conditions.

(Referenced ANSI/EIA-481-D-2008 of 4.11 standard)

Room Temp. (°C)	Room Humidity (%)	Room atm (hPa)	Tearing Speed (mm/min)
5~35	45~85	860~1060	300±10

Tape Size	8 mm	12 to 56 mm	72 mm or Wider
Tearing Off Force (grams)	10~100	10~130	10~150

Application Notice

1. Storage Conditions

To maintain the solderability of terminal electrodes:

- (a) Products meet IPC/JEDEC J-STD-020F standard-MSL, level 1.
- (b) Recommended products should be used within 12 months from the time of delivery.
- (c) The packaging material should be kept where no chlorine or sulfur exists in the air.

2. Transportation

- (a) Products should be handled with care to avoid damage or contamination from perspiration and skin oils.
- (b) Vacuum pick up is strongly recommended for individual components.
- (c) Bulk handling should ensure that abrasion and mechanical shock are minimized.

NOTE: Specifications subject to change without notice. Please check our website for latest information.